

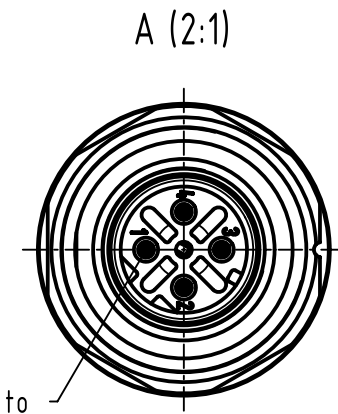
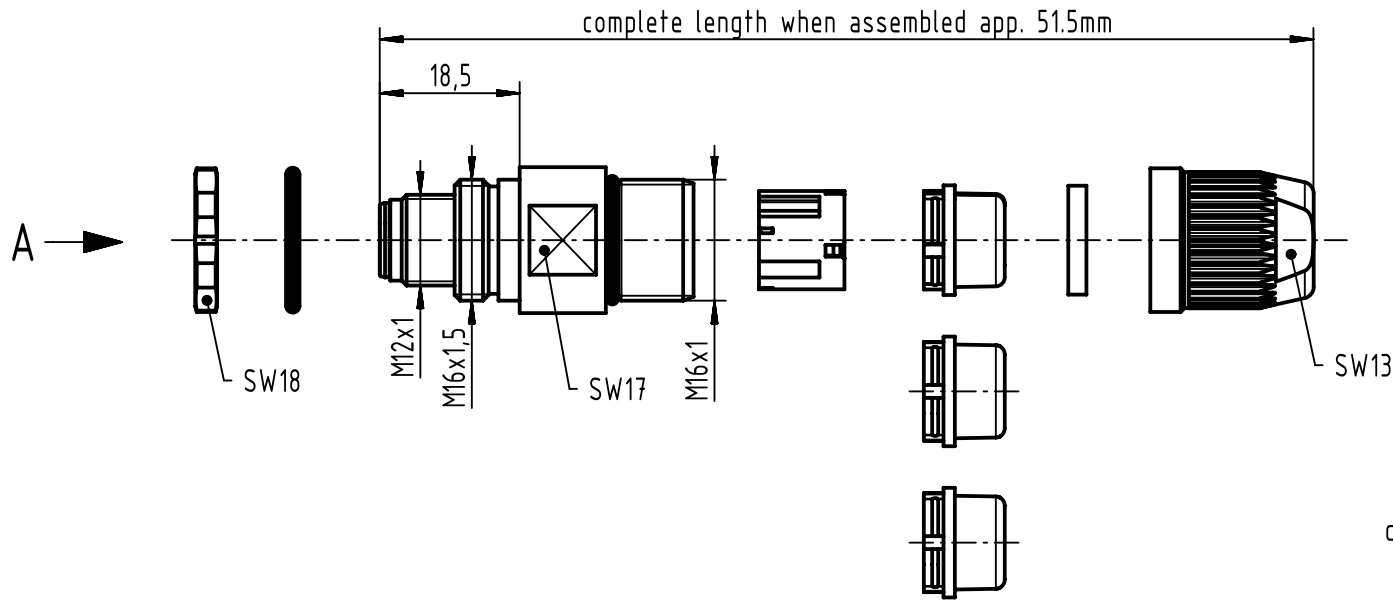
1 2 3 4 5 6

A

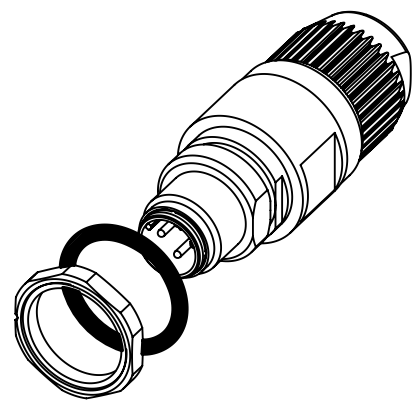
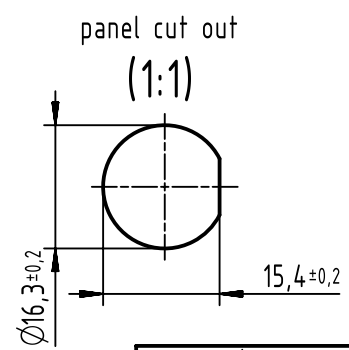
B

C

D



contact face acc. to IEC 61076-2-101



cable Ø			conductor cross section
5.5-7.2mm	4.5-5.4mm	7.0-8.8mm	
sealing			0.14 - 0.34mm <sup>2</sup> AWG26-AWG22
black	transparent	beige	

	All Dimensions in mm Original Size DIN A4		Scale 1:1	Free size tol.		Ref.	
	All rights reserved Department EL PD		Created by DYCKC	Inspected by HARLASS	Standardisation KÖHLER	Sub.	
HARTING Electronics GmbH D-32339 Espelkamp		Title HARTING M12 IDC D-coded 4-pole male				Date 2018-12-18	State Final Release
		Type TB	Number 21033811425			Doc-Key / ECM-Nr. 100202948/UGD/003/F 500000140533	Rev. F
						Page 1/1	