

1 2 3 4 5 6

complete length when assembled app. 43mm

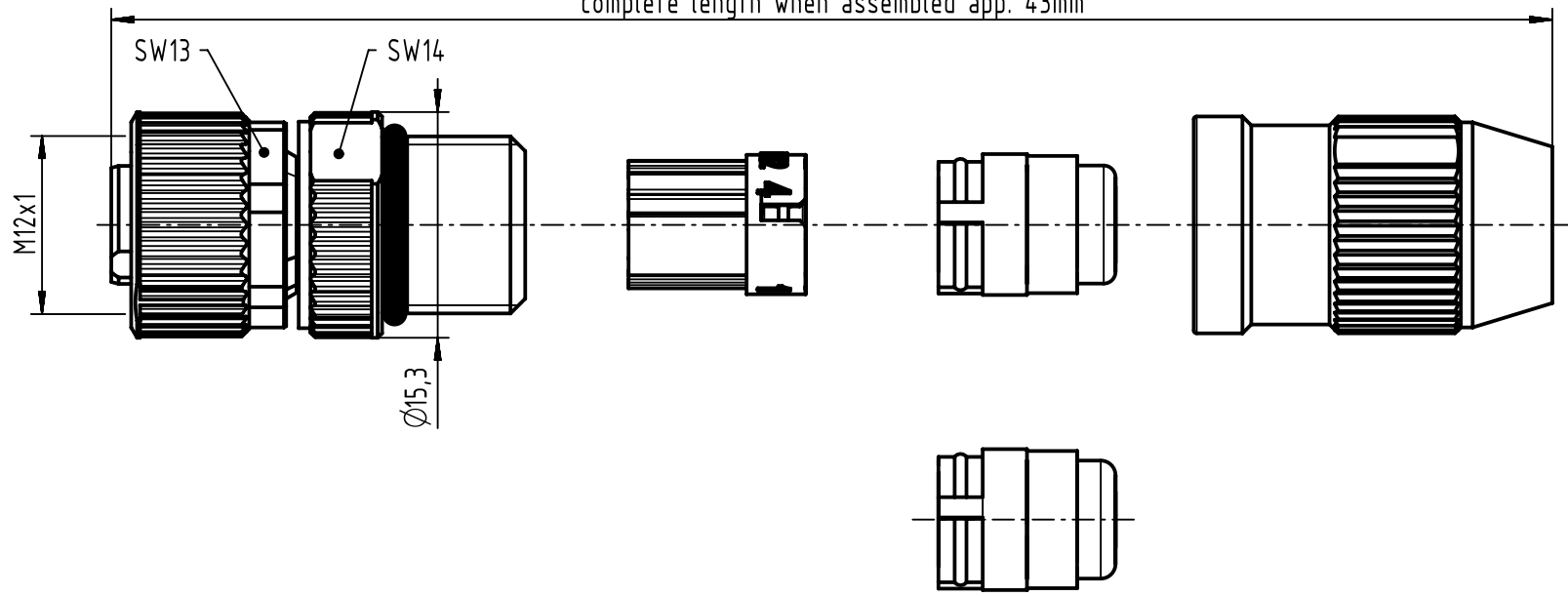
A

B

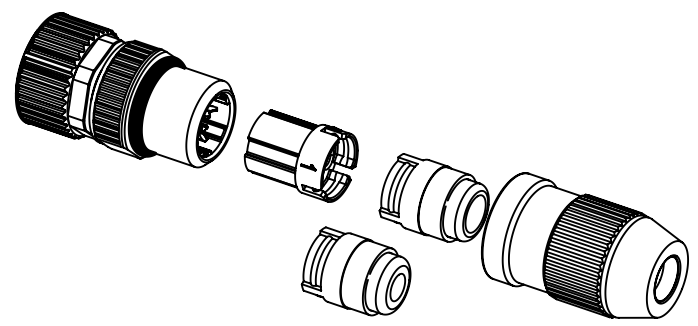
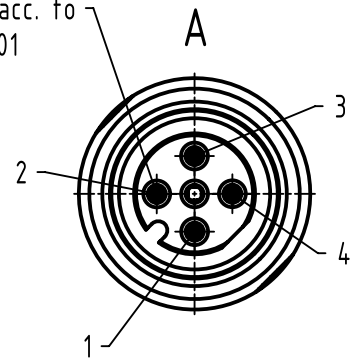
C

D

A →



contact face acc. to IEC 61076-2-101



conductor cross section	0.14 - 0.34mm ² AWG26 - AWG22
cable outside diameter	2.9 - 5.1mm

	All Dimensions in mm Original Size DIN A4		Scale 2:1	Free size tol.		Ref. Sub. TB 21031112405 / 500000103382 / 2016-03-30	
	All rights reserved Department EC PD - DE		Created by EISFELD	Inspected by WELLMANN	Standardisation KOHLER	Date 2016-08-19	State Final Release
HARTING Electronics GmbH D-32339 Espelkamp			Title HARAX M12-S female 4-pole			Doc-Key / ECM-Nr. 100190976/UGD/003/F 500000107503	
			Type TB	Number 21031112405		Rev. F	Page 1/1