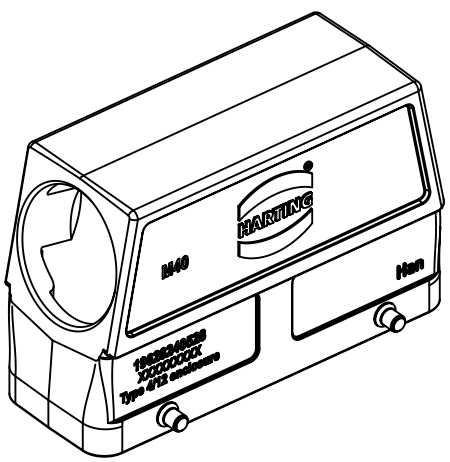
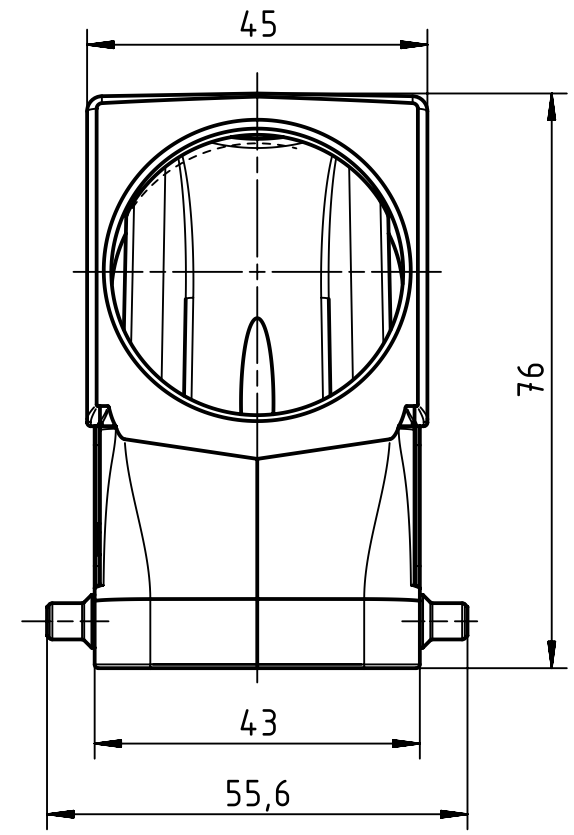
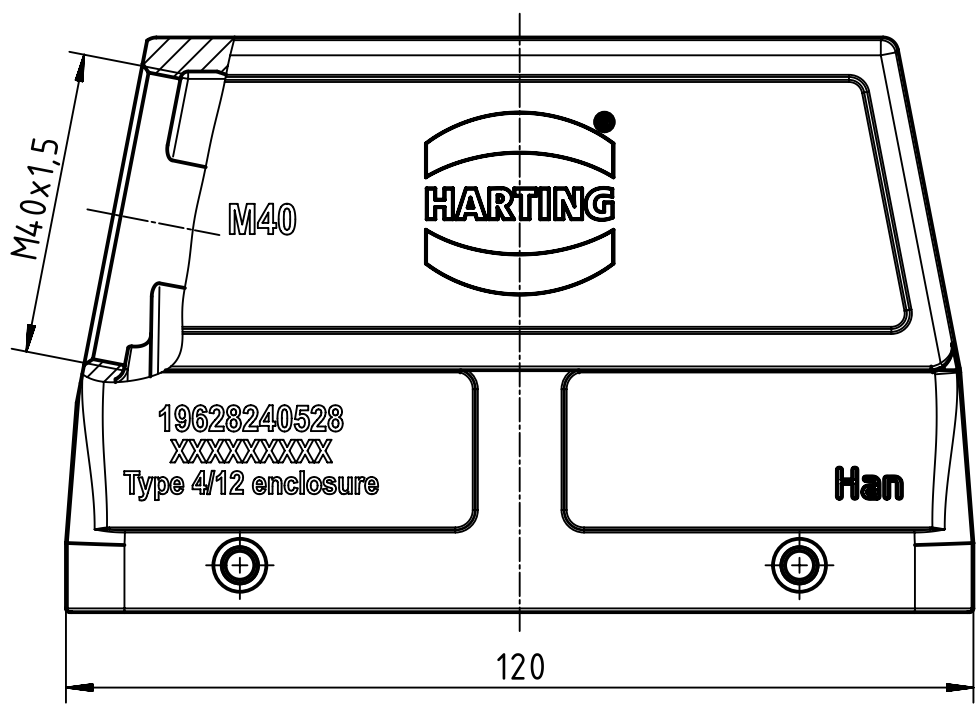
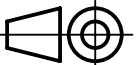



1 2 3 4 5 6

A  
B  
C  
D



 All Dimensions in mm Original Size DIN A4	Scale	Free size tol.		Ref.	
	1:1			Sub.	
 All rights reserved Department EL PD - DE	Created by	Inspected by	Standardisation	Date	State
	FINKEV	BERGHORN	RUETERA	2017-07-04	Final Release
Title Han 24EMC/B-HSE-M40 (HT)				Doc-Key / ECM-Nr. 100233166/UGD/002/E 500000120293	
HARTING Electric GmbH & Co. KG D-32339 Espelkamp		Type	Number	Rev.	Page
		TB	19 62 824 0528	E	1/1