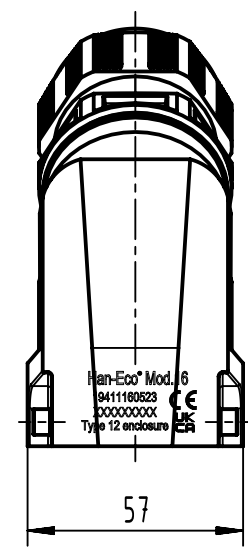
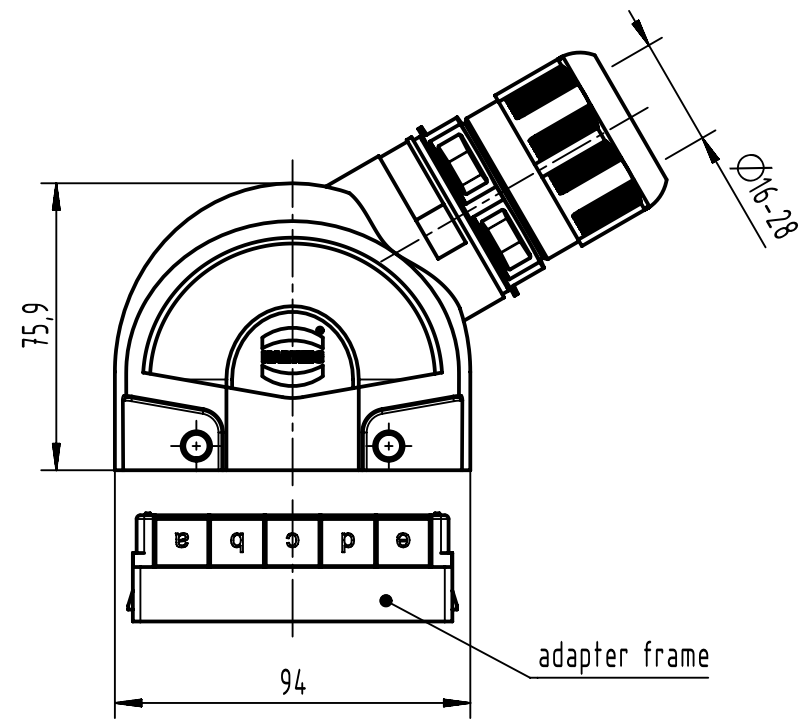
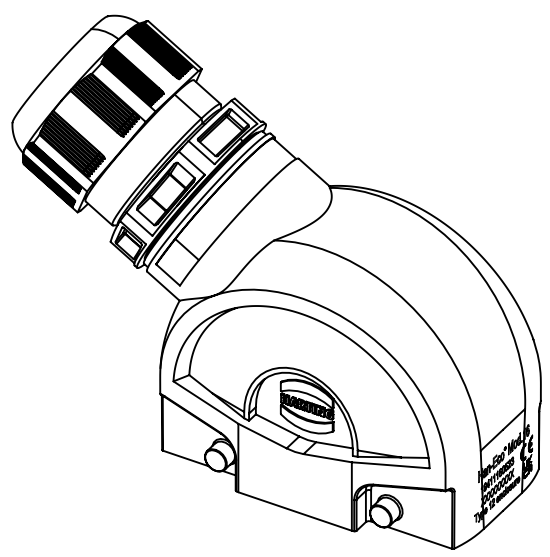


A

B

C

D



	All Dimensions in mm Original Size DIN A4		Scale 1:2	Free size tol.		Ref.
						Sub.
	All rights reserved		Created by HOLLERT	Inspected by SCHNIEDER	Standardisation	Date 2023-11-14
	Department EL PD					State Final Release
HARTING			Title Han-Eco Mod.16-HSE-M40-glanded			Doc-Key / ECM-Nr. 100185057/UGD/005/D 500000257728
D-32339 Espelkamp			Type TB	Number 19 41 116 0523		Rev. <b>D</b> Page 1/1