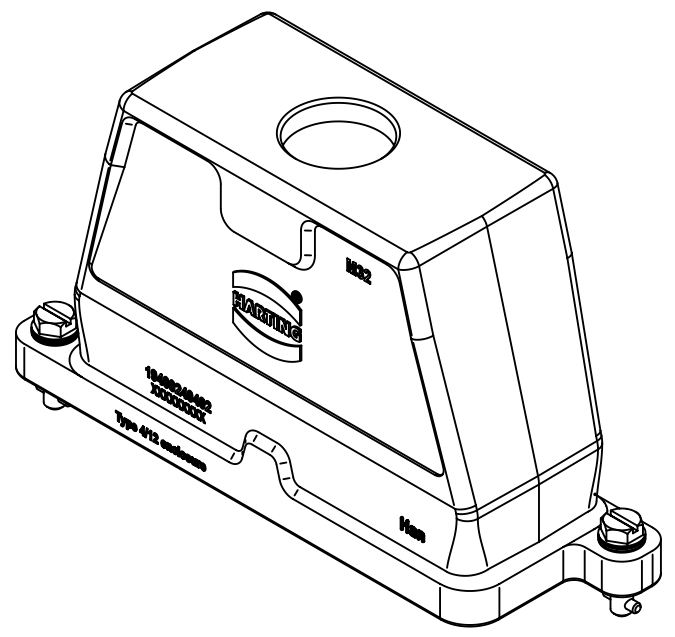
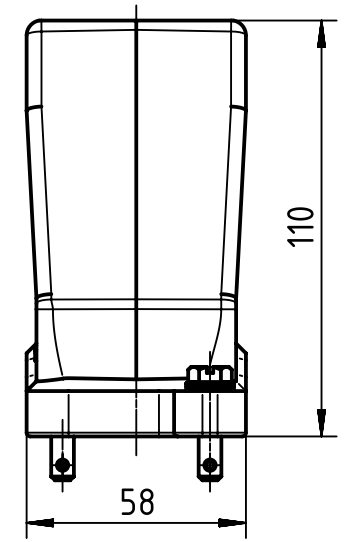
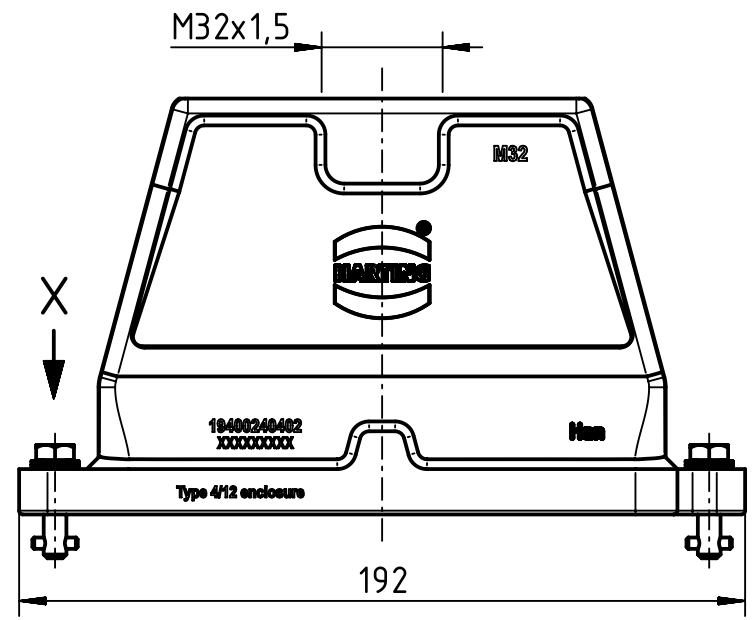
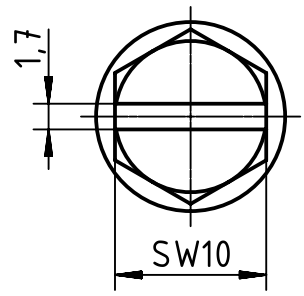


1 2 3 4 5 6

A
B
C
D

X (2:1)



	All Dimensions in mm Original Size DIN A4		Scale 1:2	Free size tol.	Ref. Sub. TB 19 40 024 0402 v. 10.01.11		
		All rights reserved Department EL PD - DE	Created by RULLKOETTER	Inspected by BERGHORN	Standardisation RUETERA	Date 2018-01-24	State Final Release
HARTING Electric GmbH & Co. KG D-32339 Espelkamp		Title Han 24HPR-HTE-TL-M32			Doc-Key / ECM-Nr. 100201947/UGD/004/C 500000130436		
		Type TB	Number 19 40 024 0402			Rev. C	Page 1/1