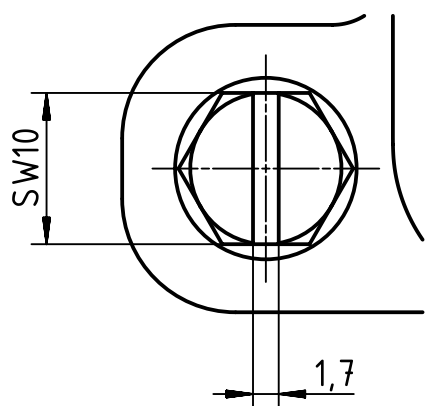
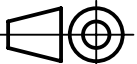



A (2:1)



 All Dimensions in mm Original Size DIN A4		Scale 1:2	Free size tol.		Ref.
 All rights reserved Department EL PD		Created by HELLMANN	Inspected by GERB	Standardisation RUETERA	Date 2018-11-27
HARTING Electric GmbH & Co. KG D-32339 Espelkamp		Title Han 10HPR-gg2-SV-M20			State Final Release
		Type TB	Number 19 40 010 0430		Doc-Key / ECM-Nr. 100206737/UGD/004/B 500000143270
					Rev. B
					Page 1/1