

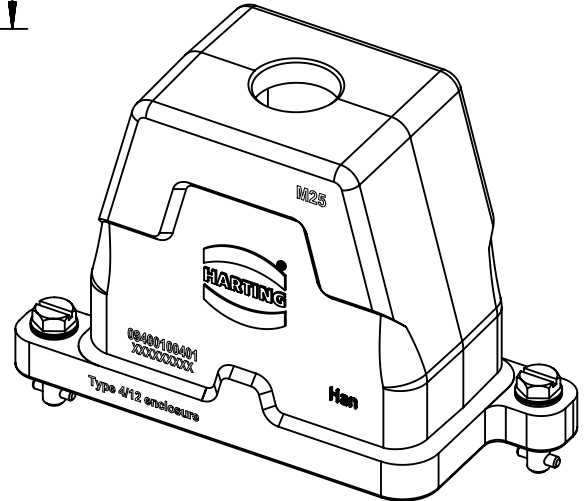
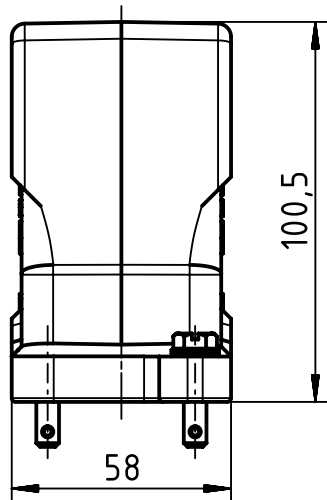
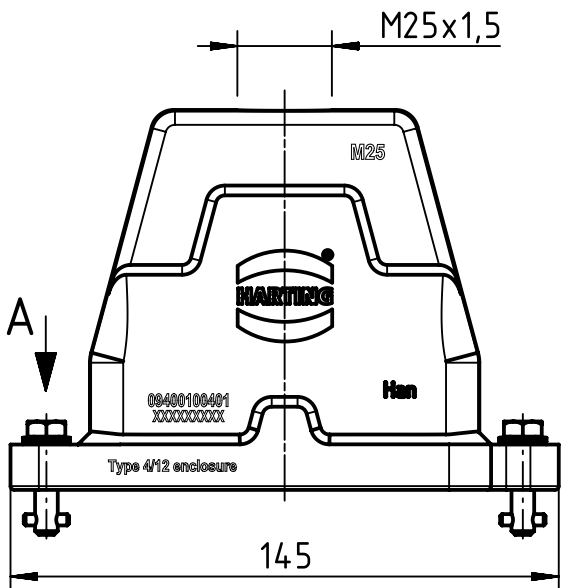
1 2 3 4 5 6

A

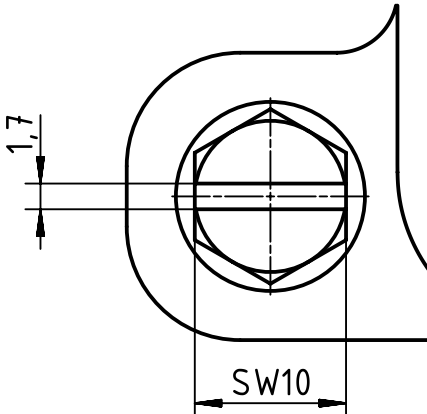
B

C

D



A (2:1)



	All Dimensions in mm Original Size DIN A4		Scale 1:2	Free size tol.		Ref.	
			Created by HELLMANN	Inspected by GERB	Standardisation RUETERA	Date 2018-11-27	State Final Release
		All rights reserved Department EL PD	Title Han 10HPR-gg-KV-M25			Doc-Key / ECM-Nr. 100206742/UGD/004/B 500000143270	
HARTING Electric GmbH & Co. KG D-32339 Espelkamp		Type TB	Number 19 40 010 0401			Rev. B	Page 1/1