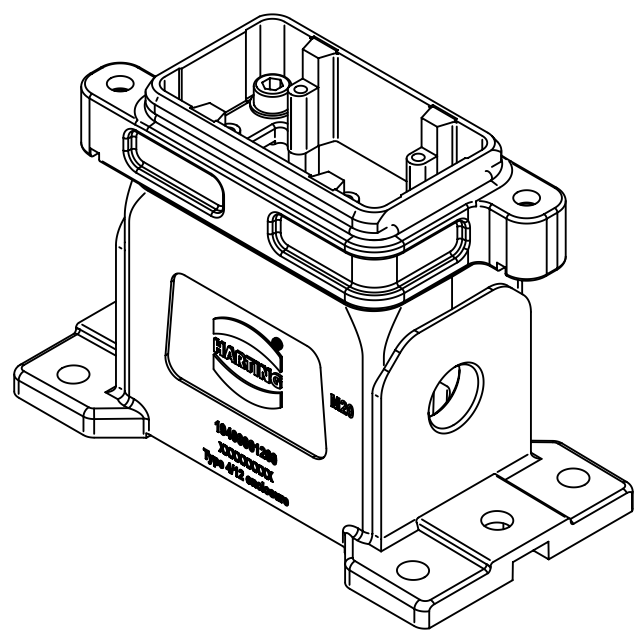
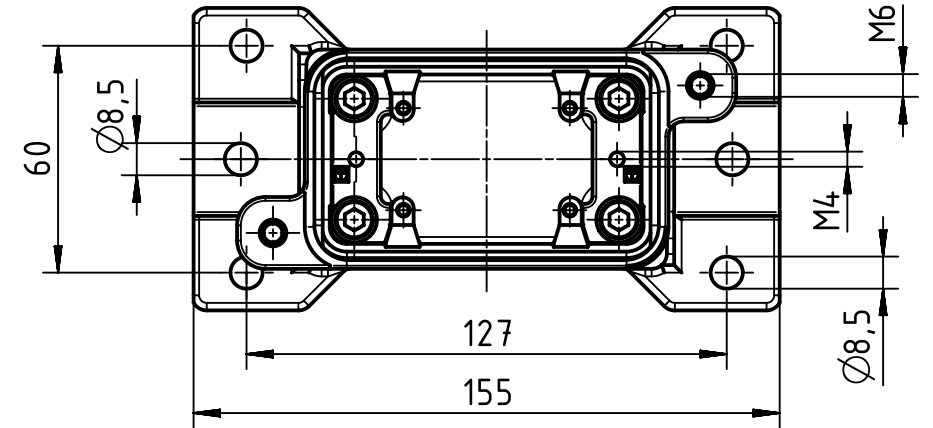
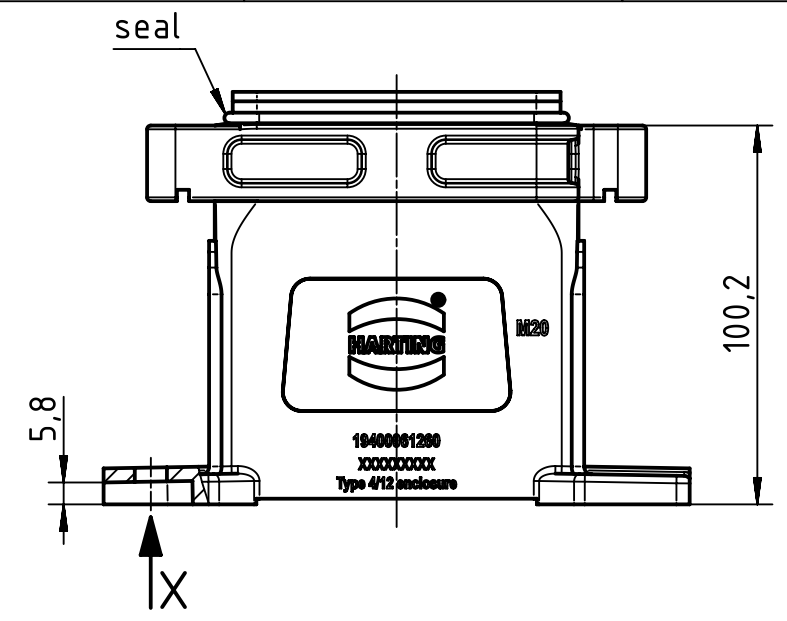
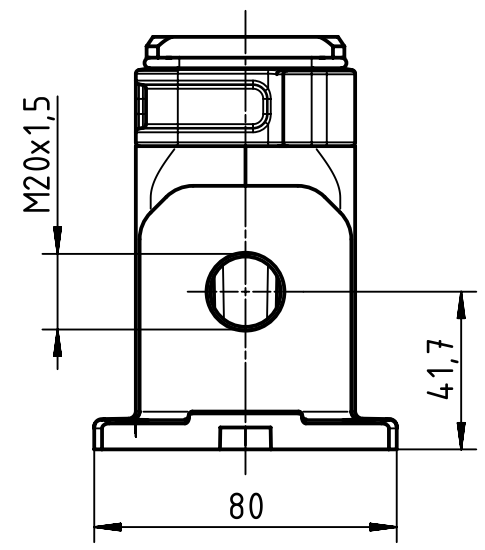
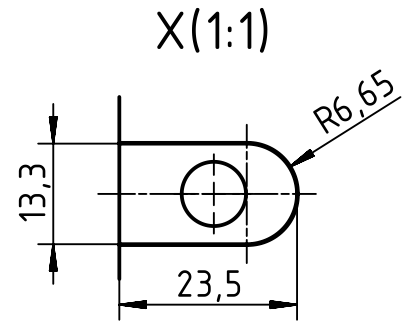


1 2 3 4 5 6

A  
B  
C  
D



	All Dimensions in mm Original Size DIN A4		Scale 1:2	Free size tol.		Ref.
						Sub.
	All rights reserved		Created by GERB	Inspected by BERGHORN	Standardisation TIEMANNA	Date 2016-09-20
	Department EL PD - DE					State Final Release
HARTING Electric GmbH & Co. KG D-32339 Espelkamp			Title <b>Han 6HPR-asm1-SV-M20</b>			Doc-Key / ECM-Nr. 100185587/UGD/005/D 500000108625
			Type TB	Number 19 40 006 1260		Rev. <b>D</b>
						Page 1/1