

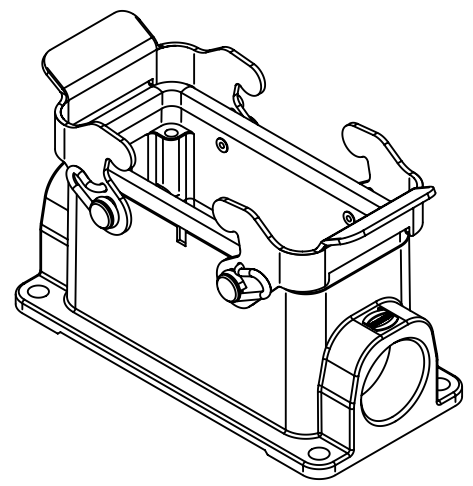
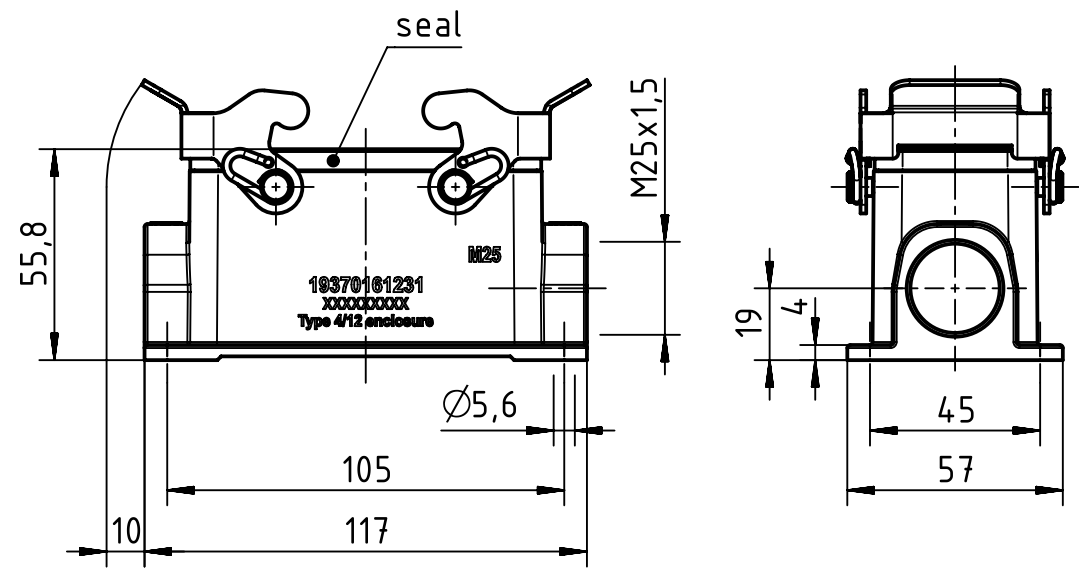
1 2 3 4 5 6

A

B

C

D



	All Dimensions in mm Original Size DIN A4	Scale 1:2		Free size tol.		Ref.	
						Sub.	
	All rights reserved Department EL PD - DE	Created by SPRENB	Inspected by NICHTERLEIN	Standardisation TIEMANNA	Date 2015-12-09	State Final Release	
		Title Han M Base Surface LC 2 Levers 1x M25					Doc-Key / ECM-Nr. 100633909/UGD/002/B 500000097388
HARTING Electric GmbH & Co. KG D-32339 Espelkamp		Type TB	Number 19 37 016 1231			Rev. B	Page 1/1