

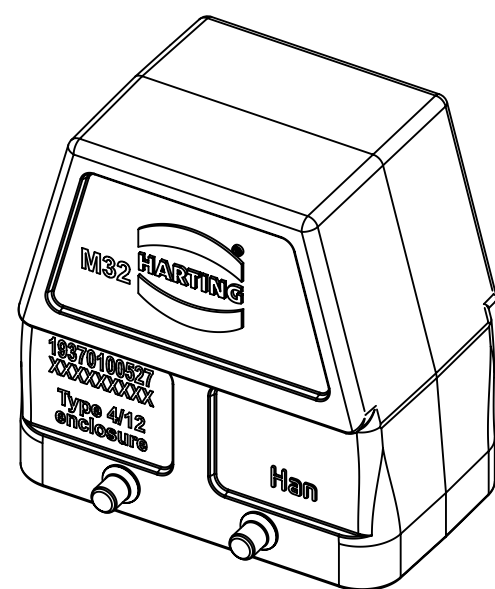
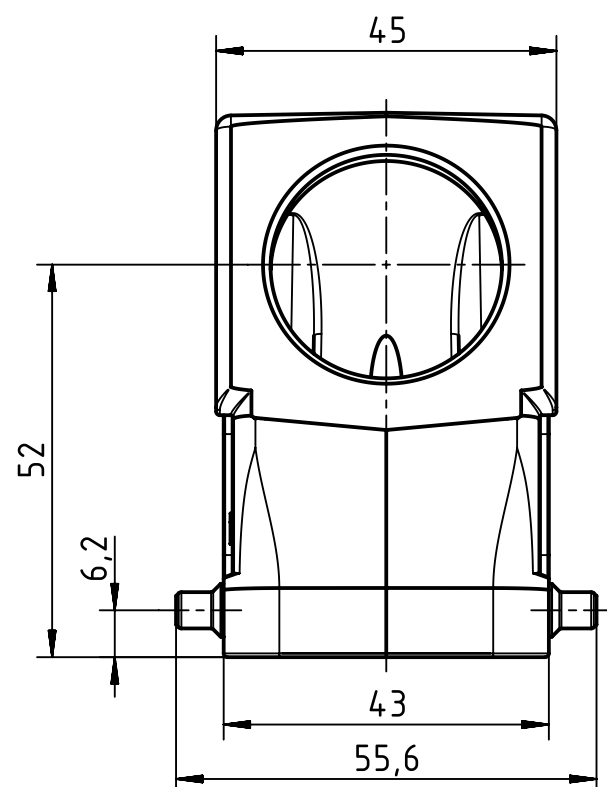
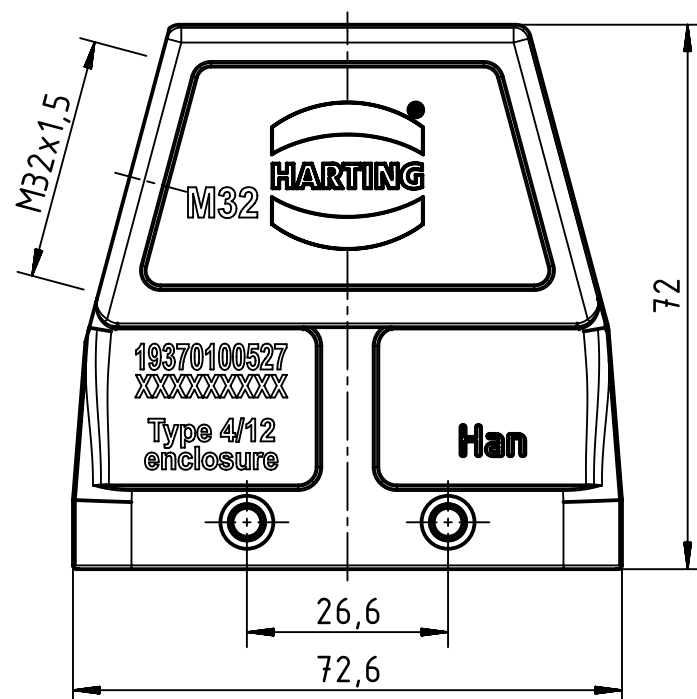
1 2 3 4 5 6

A

B

C

D



	All Dimensions in mm Original Size DIN A4		Scale 1:1	Free size tol.		Ref.
						Sub.
	All rights reserved		Created by KLASSEN P	Inspected by BERGHORN	Standardisation SCHMIDTM	Date 2017-06-29
	Department EL PD - DE					State Final Release
HARTING Electric GmbH & Co. KG D-32339 Espelkamp			Title Han 10M-gs-M32			Doc-Key / ECM-Nr. 100229046/UGD/004/C 500000121300
			Type TB	Number 19 37 010 0527		Rev. C
						Page 1/1