

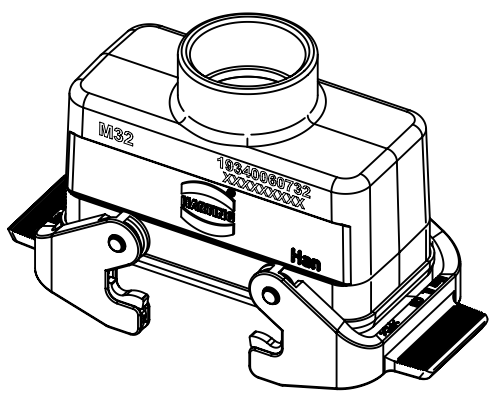
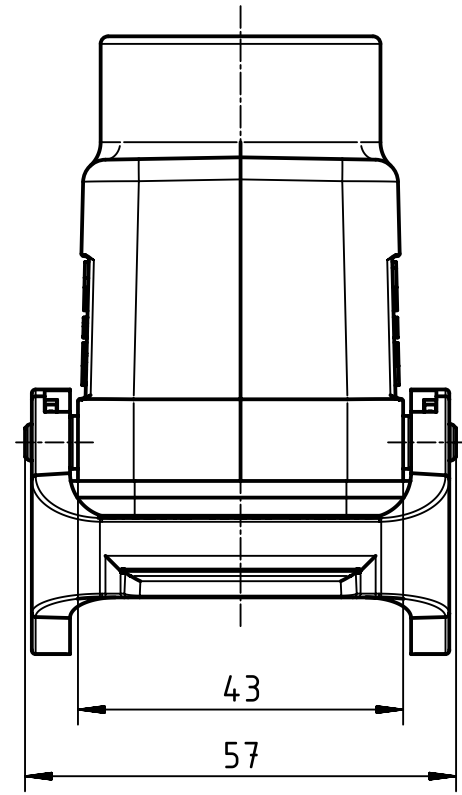
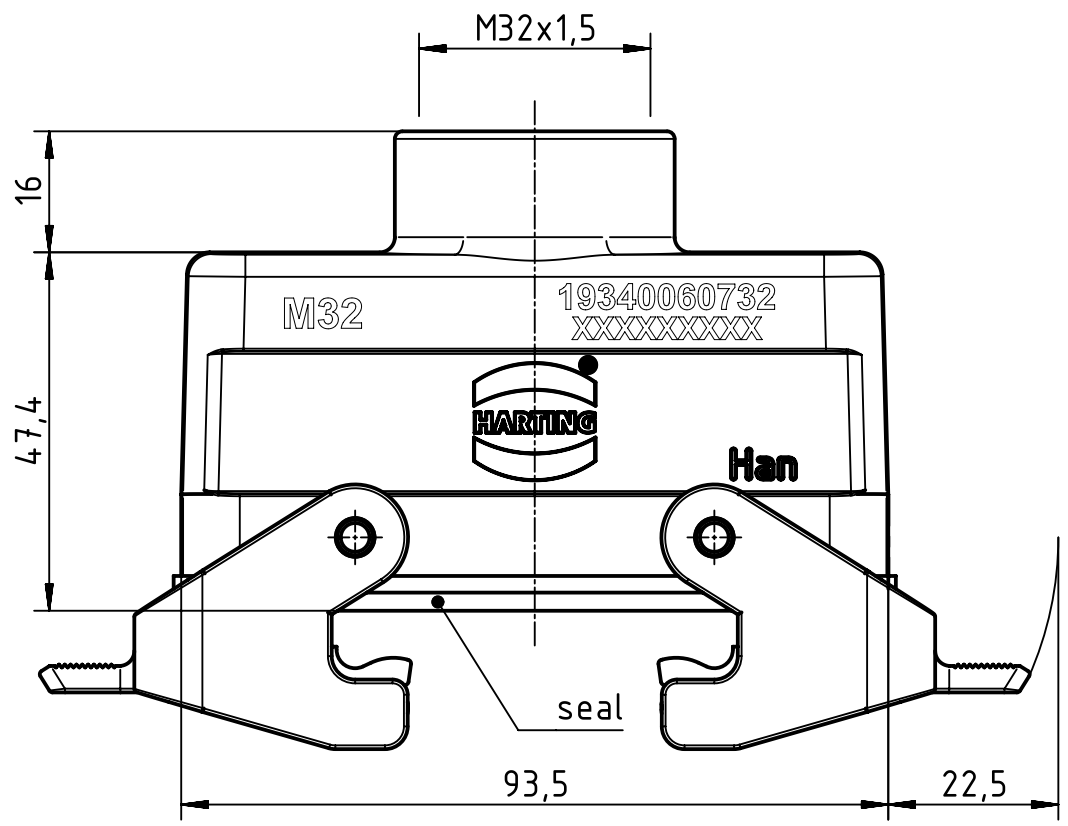
1 2 3 4 5 6

A

B

C

D



	All Dimensions in mm Original Size DIN A4		Scale 1:1	Free size tol.		Ref.
						Sub.
	All rights reserved		Created by FINKEV	Inspected by GERB	Standardisation GARSKE	Date 2019-04-24
	Department EL PD					State Final Release
HARTING Electric GmbH & Co. KG D-32339 Espelkamp			Title Han 6HvE-kg-QB-M32			Doc-Key / ECM-Nr. 100193887/UGD/004/C 500000150684
			Type TB	Number 19 34 006 0732		Rev. C Page 1/1