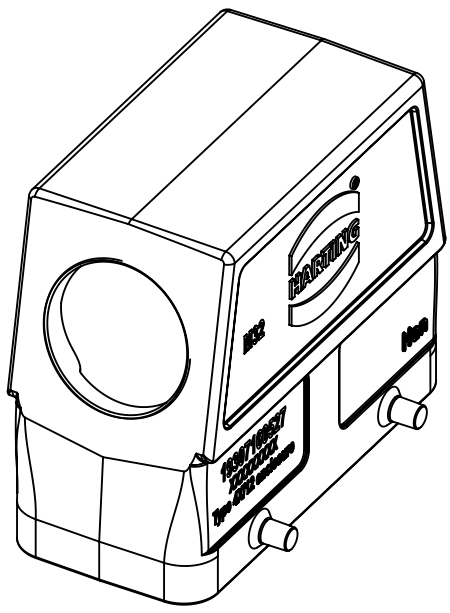
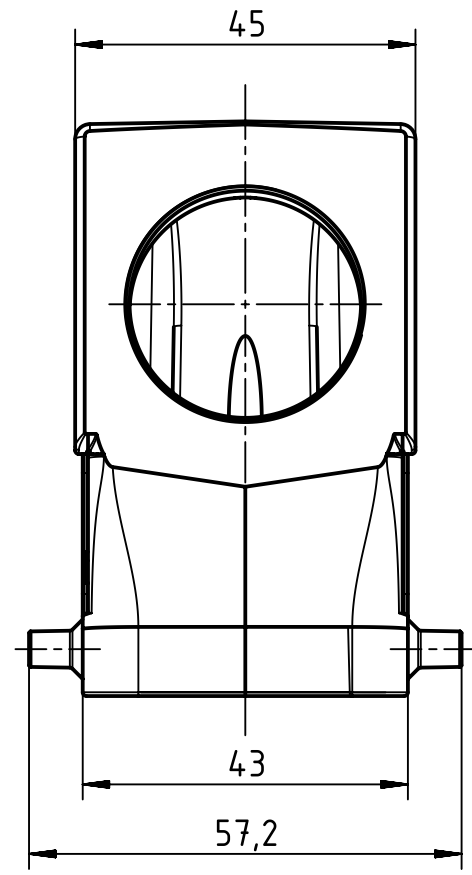
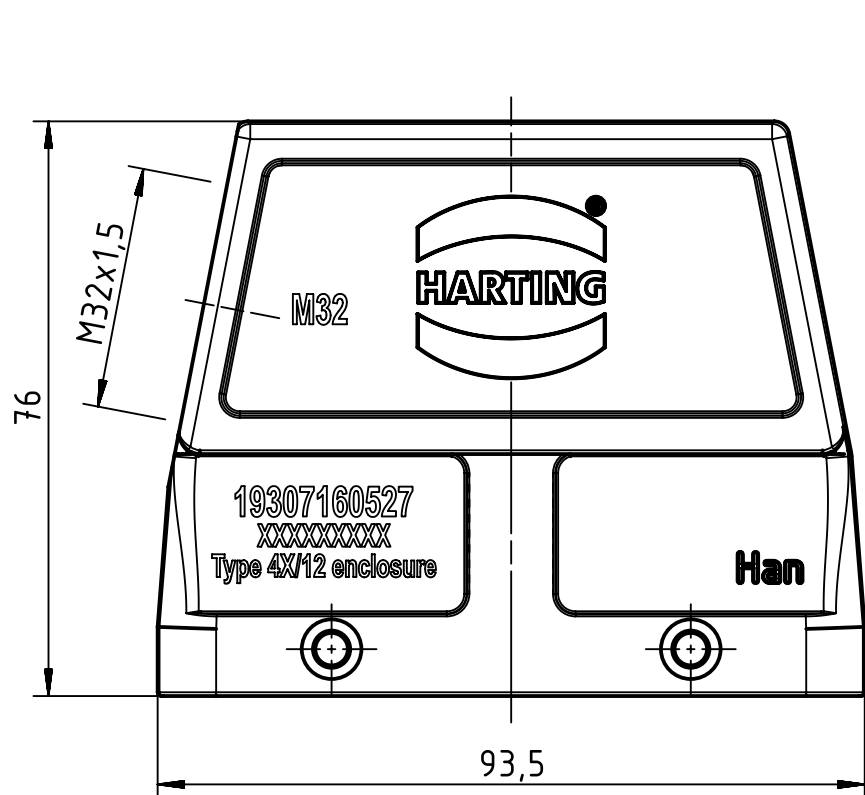


1 2 3 4 5 6

A  
B  
C  
D



		All Dimensions in mm Original Size DIN A4		Scale 1:1	Free size tol.	Ref.		
		All rights reserved Department EL PD - DE		Created by GRUBES	Inspected by TIEMANNA	Standardisation SCHMIDTM	Date 2016-04-29	State Final Release
HARTING Electric GmbH & Co. KG D-32339 Espelkamp		Title 16B Hood SE HC 4 Pegs M32 Black				Doc-Key / ECM-Nr. 100222602/UGD/002/C 500000103220		
		Type TB	Number 19 30 716 0527			Rev. C	Page 1/1	