

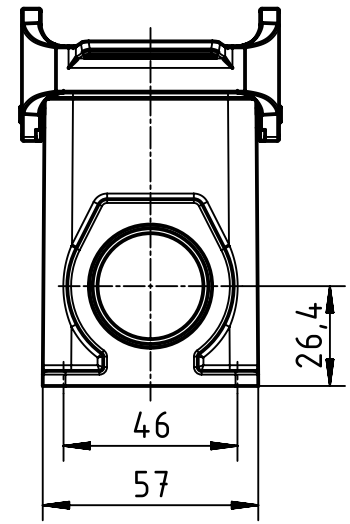
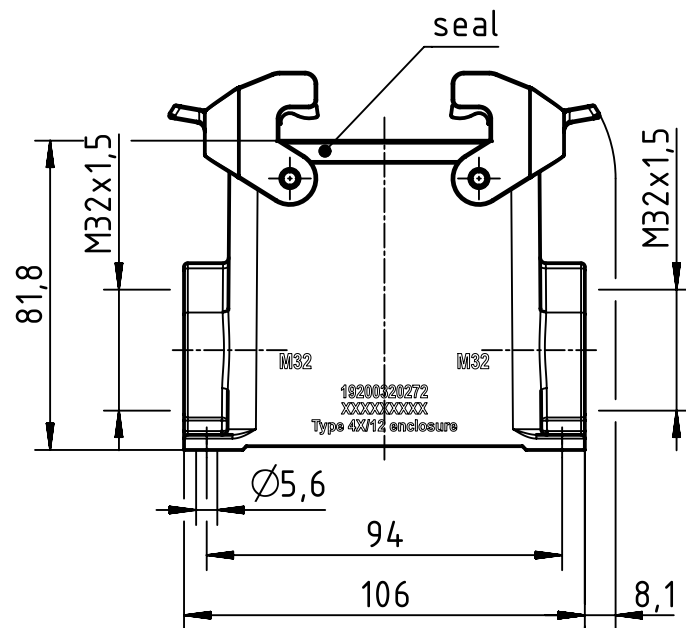
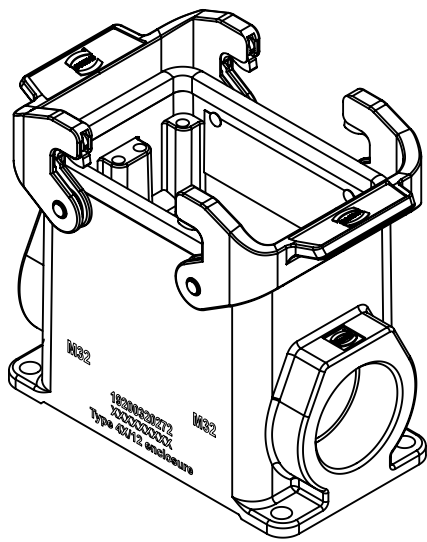
1 2 3 4 5 6

A

B

C

D



	All Dimensions in mm Original Size DIN A4		Scale 1:2	Free size tol.		Ref.
			Created by FINKEV	Inspected by BERGHORN	Standardisation RUETERA	Sub.
All rights reserved Department EL PD		Title <b>Han A Base Surface HC 2 Levers 2 x M32</b>		Date 2018-08-16	State Final Release	
HARTING Electric GmbH & Co. KG D-32339 Espelkamp		Type <b>TB</b>		Number <b>19 20 032 0272</b>		Doc-Key / ECM-Nr. 100206232/UGD/004/A 500000136132
					Rev. <b>A</b>	Page 1/1