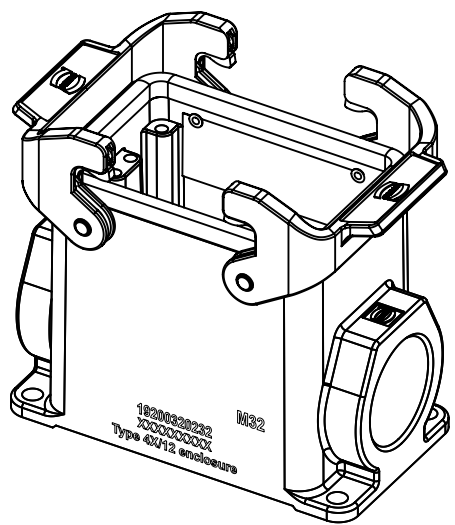
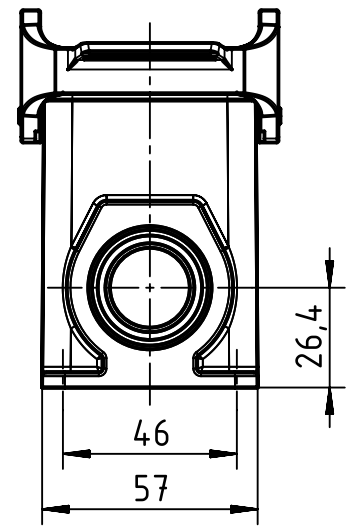
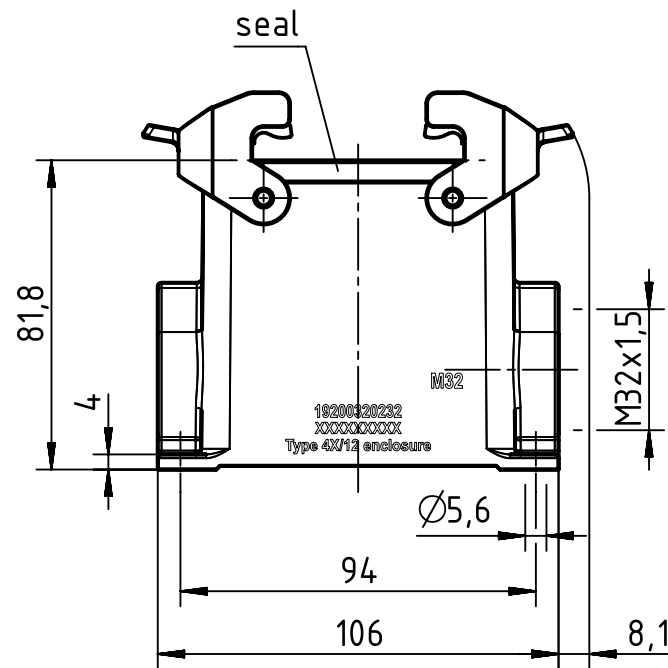


A

B

C

D



	All Dimensions in mm Original Size DIN A4		Scale 1:2	Free size tol.		Ref. Sub. TB 19 20 032 0232 v. 26.01.11		
		All rights reserved Department EL PD		Created by FINKEV	Inspected by BERGHORN	Standardisation RUETERA	Date 2018-08-16	State Final Release
HARTING Electric GmbH & Co. KG D-32339 Espelkamp				Title Han A Base Surface HC 2 Levers 1 x M32			Doc-Key / ECM-Nr. 100206234/UGD/005/A 500000136132	
				Type TB	Number 19 20 032 0232			Rev. A Page 1/1