

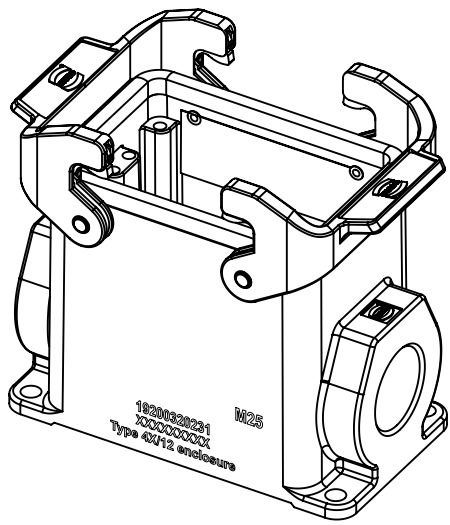
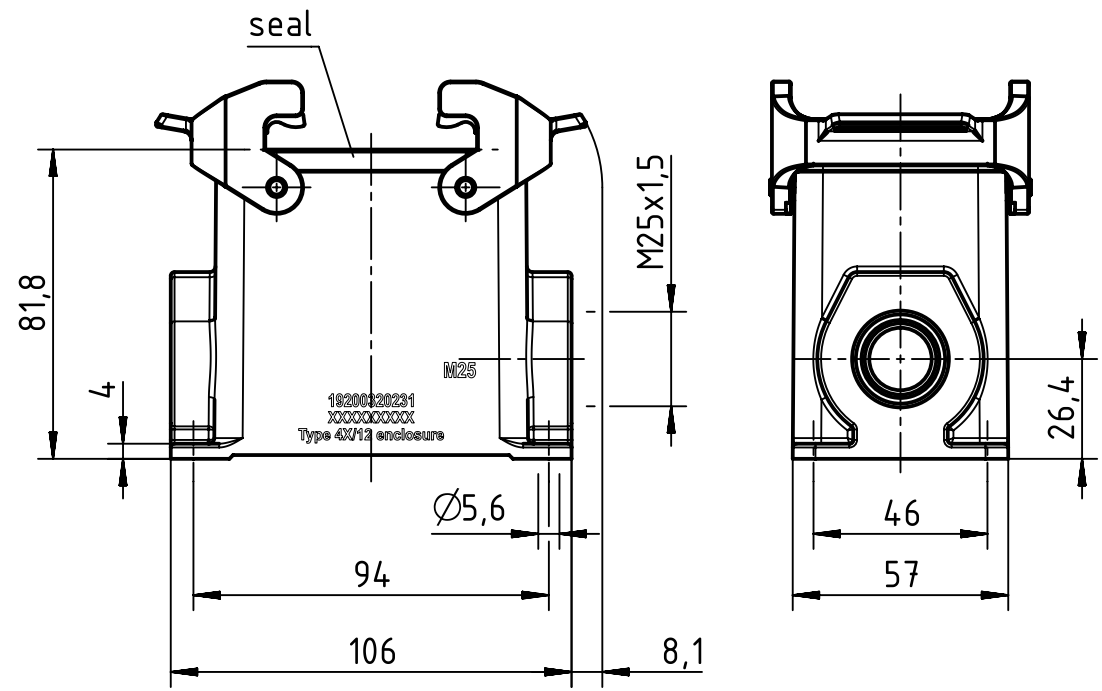
1 2 3 4 5 6

A

B

C

D



	All Dimensions in mm Original Size DIN A4		Scale 1:2	Free size tol.	Ref. Sub. TB 19 20 032 0231 v. 26.01.11		
		All rights reserved	Created by FINKEV	Inspected by BERGHORN	Standardisation RUETERA	Date 2018-08-16	State Final Release
Department EL PD		Title Han A Base Surface HC 2 Levers 1 x M25				Doc-Key / ECM-Nr. 100206233/UGD/004/A 500000136132	
HARTING Electric GmbH & Co. KG D-32339 Espelkamp		Type TB	Number 19 20 032 0231			Rev. A	Page 1/1