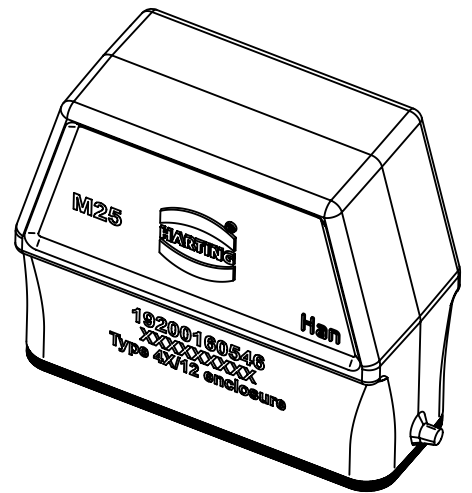
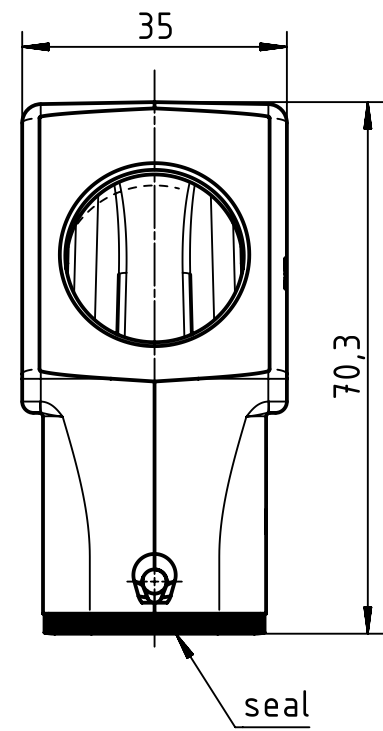
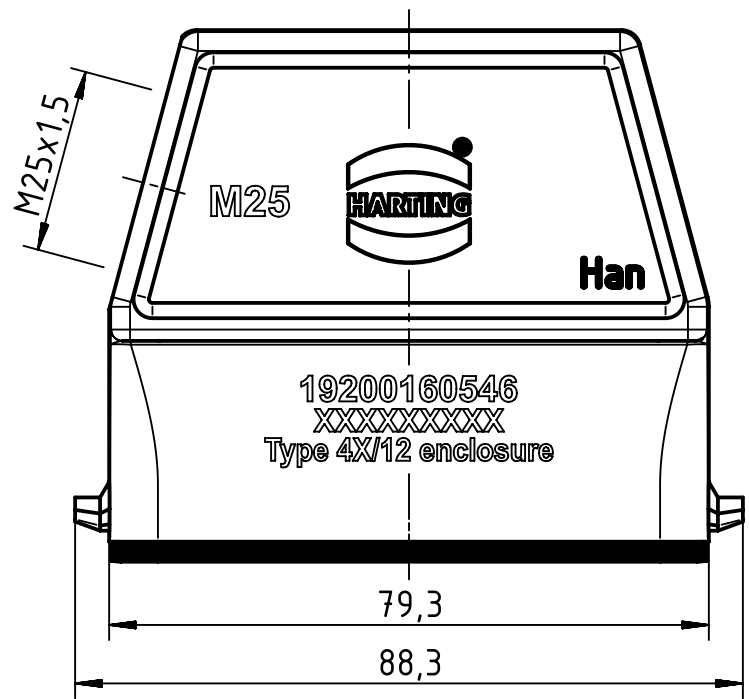


1 2 3 4 5 6

A
B
C
D



| | | | | | | | | |
|---|--|---|---------------------------|----------------------|----------------------------|--------------------|--|--|
| | All Dimensions in mm Original Size DIN A4 | | Scale 1:1 | Free size tol. | | Ref. | | |
| | | | Created by RULLKOETTER | Inspected by GERB | Standardisation RUETERA | Date 2018-08-08 | State Final Release | |
| All rights reserved Department EL PD | | Title Han A Hood Side Entry HC 2 Pegs M25 | | | | | Doc-Key / ECM-Nr. 100189907/UGD/004/C 500000136875 | |
| HARTING Electric GmbH & Co. KG D-32339 Espelkamp | | Type TB | Number 19 20 016 0546 | | | Rev. C | Page 1/1 | |