

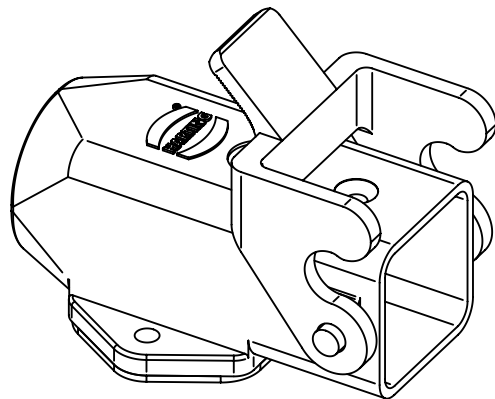
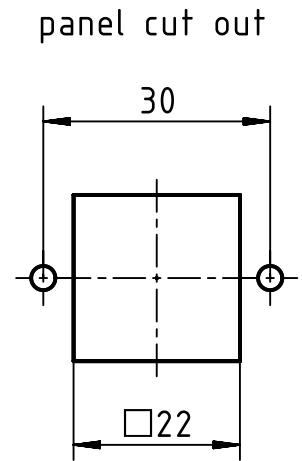
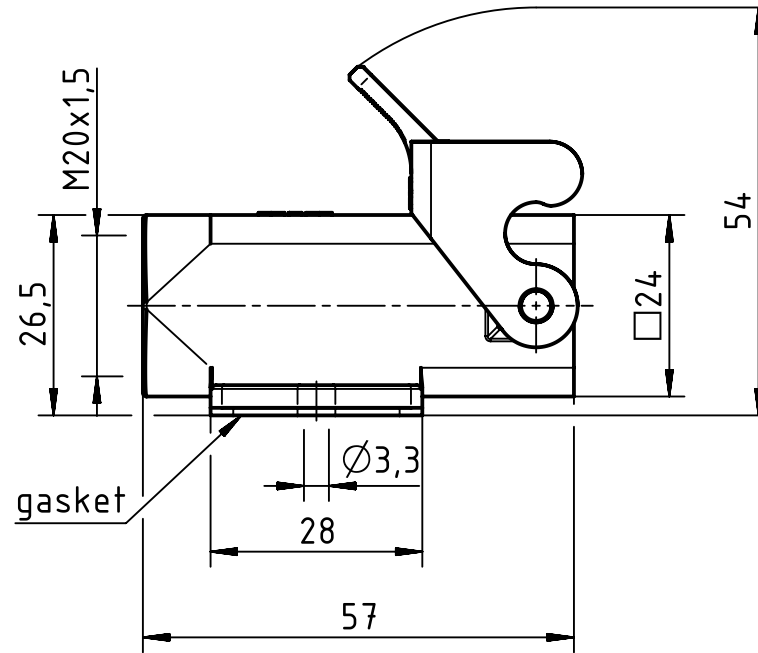
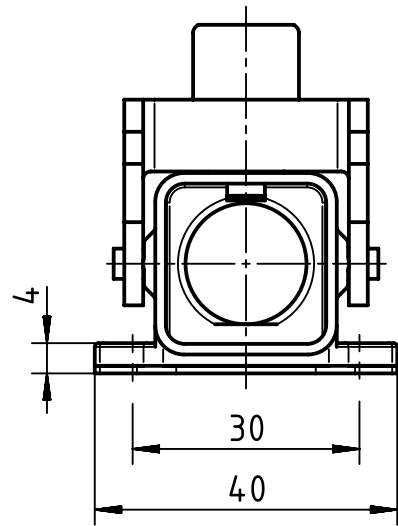
1 2 3 4 5 6


A

B

C

D



	All rights reserved Department EL PD - DE	All Dimensions in mm Original Size DIN A4		Scale 1:1	Free size tol.	Ref.
		HARTING Electric GmbH & Co. KG D-32339 Espelkamp	Created by BALSAN	Inspected by PRIESTER	Standardisation TIEMANNA	Date 2018-02-05
Title Han A Base Surface Thermoplastic M20						Doc-Key / ECM-Nr. 100197067/UGD/004/A 500000129276
Type TB				Number 19 20 003 0227		Rev. A
						Page 1/1