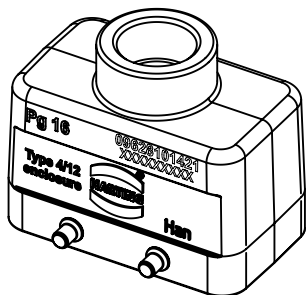
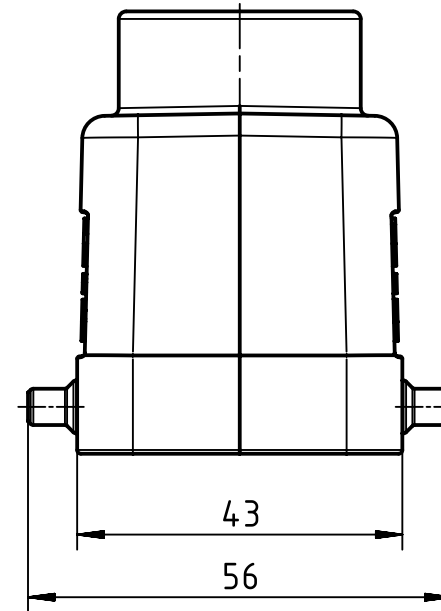
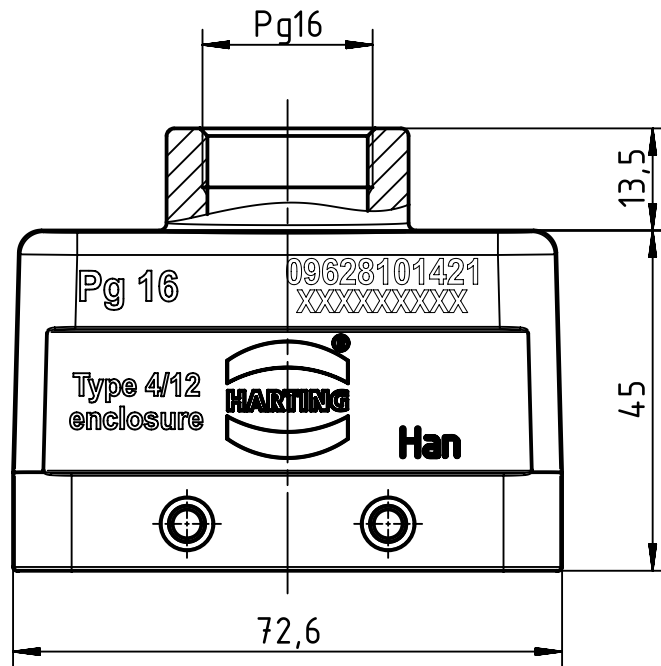


A

B

C

D



	All Dimensions in mm Original Size DIN A4		Scale 1:1	Free size tol.		Ref.	
			Created by FINKEV	Inspected by GERB	Standardisation SCHMIDTM	Date 2018-09-05	State Final Release
All rights reserved Department EL PD		Title Han EMC/B 10 Hood Top Entry PG 16				Doc-Key / ECM-Nr. 100192230/UGD/004/C 500000138601	
HARTING Electric GmbH & Co. KG D-32339 Espelkamp		Type TB	Number 09 62 810 1421			Rev. C	Page 1/1