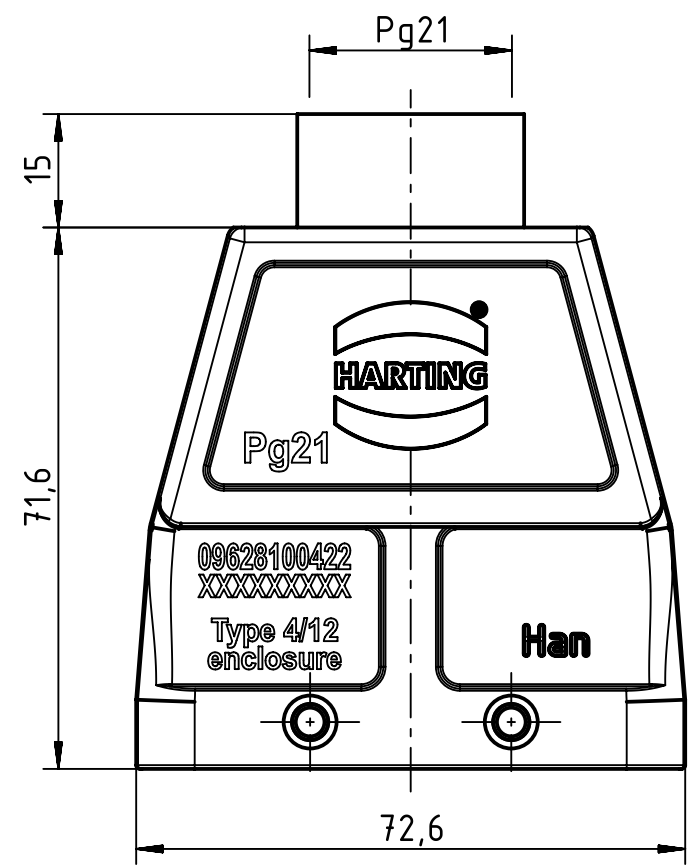
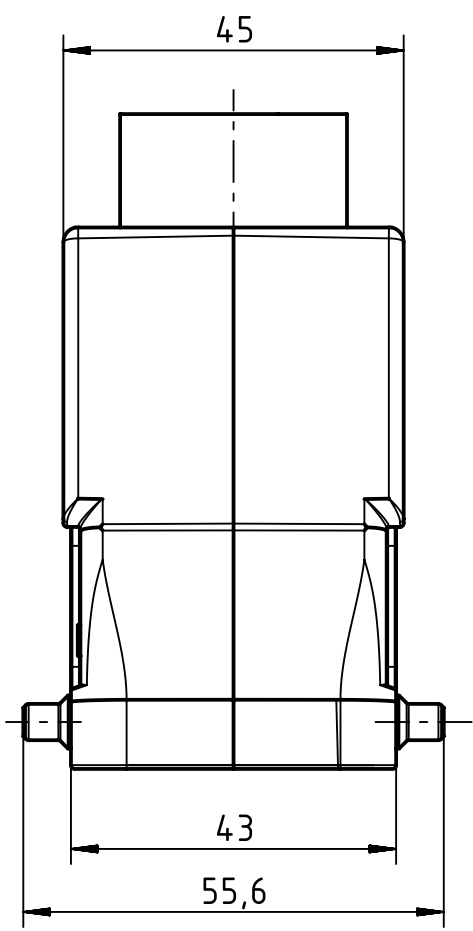
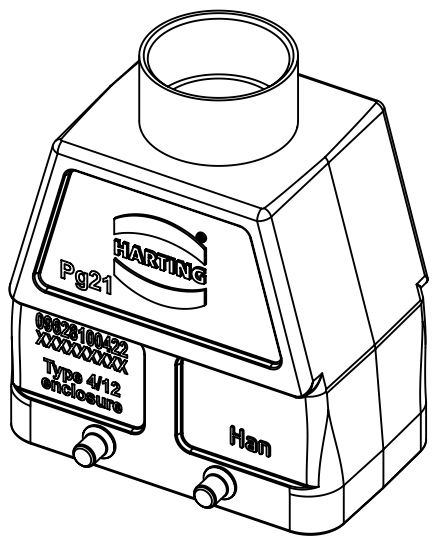
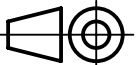



1 2 3 4 5 6

A  
B  
C  
D



 All Dimensions in mm Original Size DIN A4	Scale 1:1	Free size tol.		Ref.
	 All rights reserved Department EL PD - DE	Created by FINKEV	Inspected by BERGHORN	Standardisation RUETERA
HARTING Electric GmbH & Co. KG D-32339 Espelkamp	Title Han EMC/B 10 Hood Top Entry PG 21			Date 2017-06-27
	Type TB	Number 09 62 810 0422		State Final Release
				Doc-Key / ECM-Nr. 100227521/UGD/002/C 500000119122
				Rev. <b>C</b>
				Page 1/1