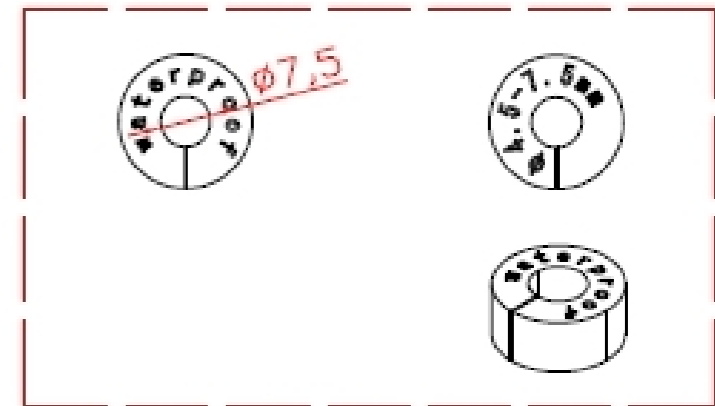


$\varnothing 6-9\text{mm}$



$\varnothing 4.5-7.5\text{mm}$

Coating	A=	mm ²	V=	mm ³	m=	g	Mat.
	All Dimensions in mm Original Size DIN A3		Scale 1:1	Free size tol.			Ref. Sub.
	All rights reserved Department EL PD		Created by 402918	Inspected by PREOTU	Standardisation 302077	Date 2020-10-07	State Final Release
HARTING Electronics GmbH D-32339 Espelkamp		Title RJ45 coupler housing Cat. 6A IP 65/67				Doc-Key / ECM-Nr. 100882324/UGD/000/B 500000180725	
		Type TB	Number 09458051560			Rev. B	Page 1/1