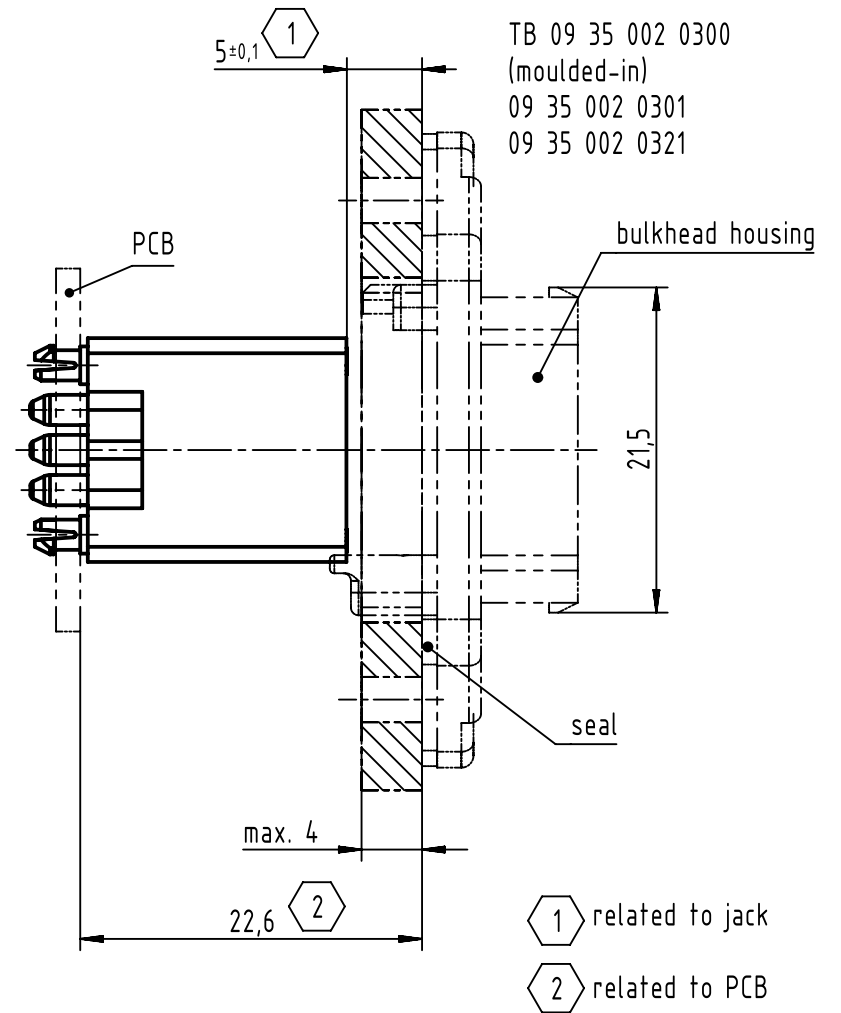
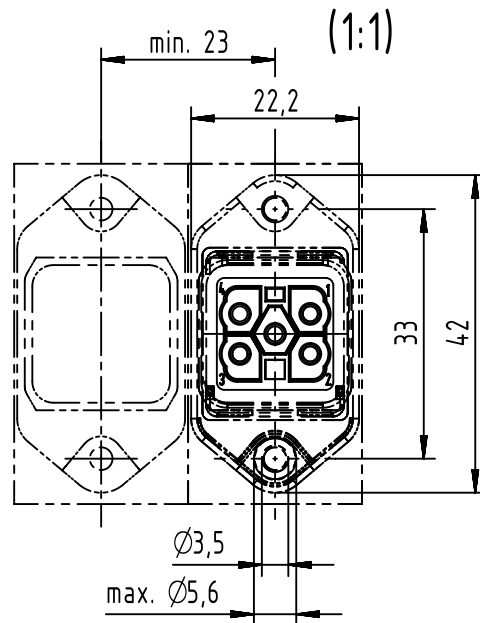
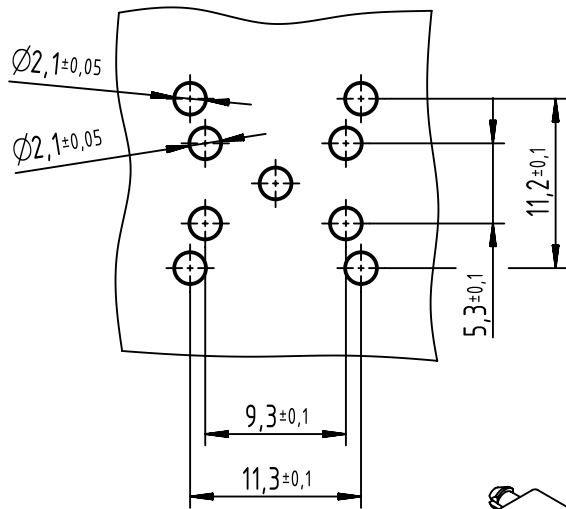
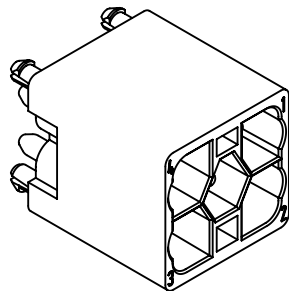


PCB-layout



TB 09 35 002 0300  
(moulded-in)  
09 35 002 0301  
09 35 002 0321

1 related to jack  
2 related to PCB



	All Dimensions in mm Original Size DIN A4		Scale 2:1	Free size tol.		Ref. Sub. TB 09 35 002 3004 / 35997 / 28.01.2010		
			Created by HAGEMEYERE	Inspected by ELLERMANN	Standardisation SCHREIER	Date 2015-10-12	State Final Release	
All rights reserved Department EC PD - DE HARTING Electronics GmbH D-32339 Espelkamp			Title Han PP V14 Power insert straight				Doc-Key / ECM-Nr. 100184051/UGD/001/B 500000094365	
			Type TB	Number 09350023004			Rev. B	Page 1/1