

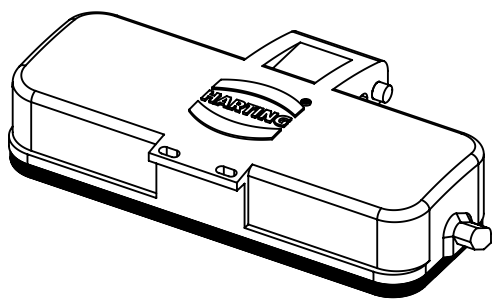
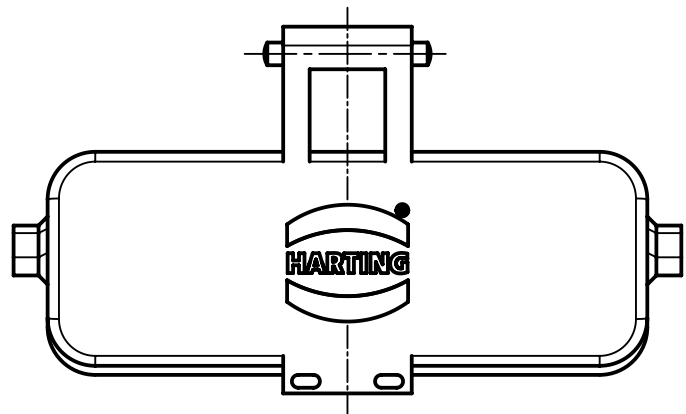
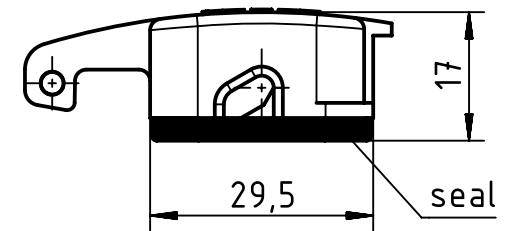
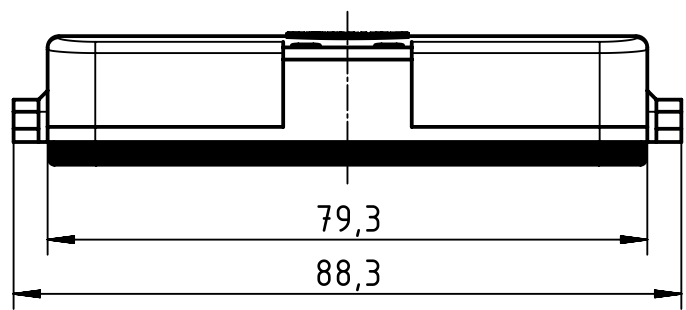
1 2 3 4 5 6

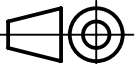

A

B

C

D



 All Dimensions in mm Original Size DIN A4	Scale 1:1		Free size tol.		Ref.		
					Sub. TB 09 20 016 5410 v. 17.01.06		
 All rights reserved Department EL PD	Created by HOLLERT		Inspected by NICTERLEIN	Standardisation TIEMANNA	Date 2017-11-30	State Final Release	
	Title Han 16A Kunststoff-Abdeckkappe					Doc-Key / ECM-Nr. 100087435/UGD/005/A 500000128286	
HARTING Electric GmbH & Co. KG D-32339 Espelkamp		Type TB	Number 09 20 016 5410			Rev. A	Page 1/1