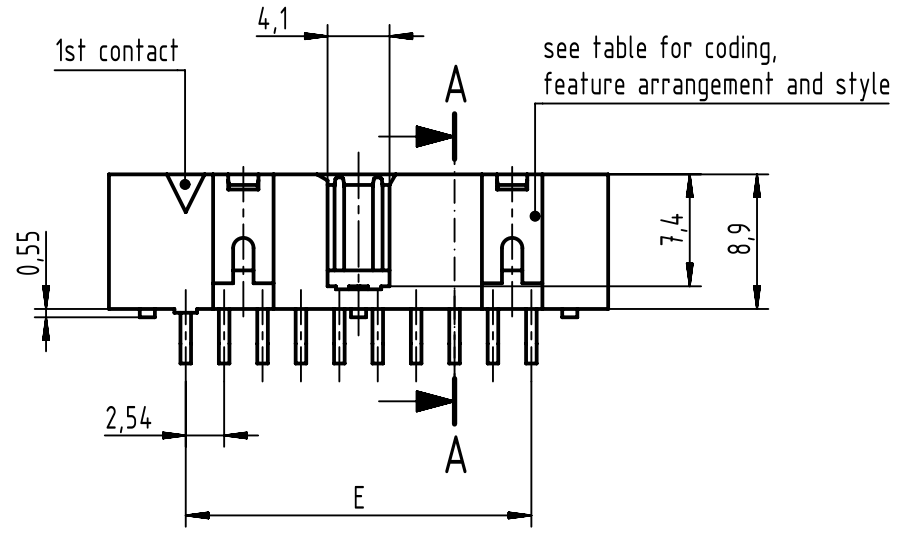
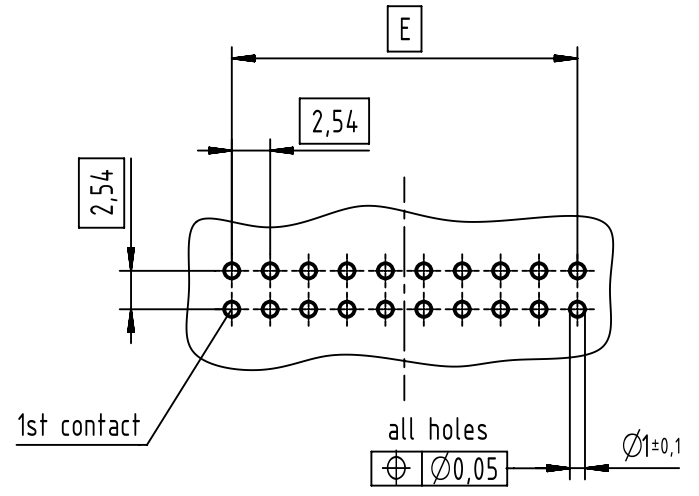
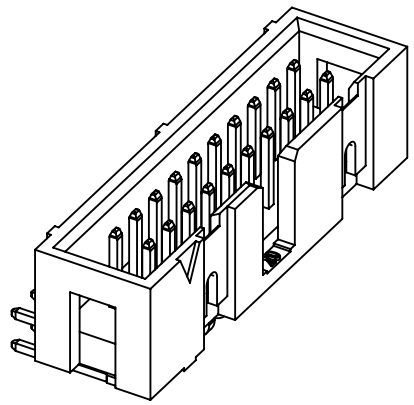
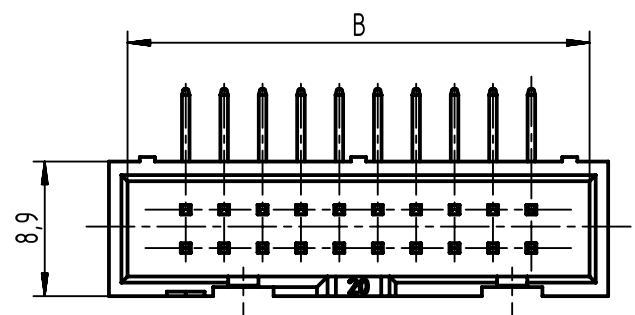
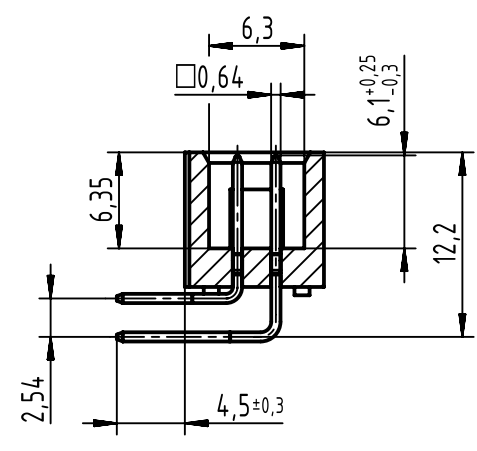


PCB layout
view component side
thickness up to 3.2



A-A




coding style table	
	style A: for connectors 6-pole
	style B: for connectors from 10 to 14-pole
	style C: for connectors from 16 to 64-pole

further more information
see DS 09181100001

full range of P/N's and
dimensions shown on page 2/2

	All Dimensions in mm Original Size DIN A3	Scale 2:1	Free size tol. IEC 60603-13	Ref. Sub. TB 09185XXX321 / 500000068837 / 2014-05-16	
	All rights reserved Department EC PD - DE	Created by STORCK	Inspected by LEHNERT	Standardisation HOFFMANN	Date 2015-12-07
HARTING Electronics GmbH D-32339 Espelkamp		Title SEK 18 male low profile angled solder 4.5			Doc-Key / ECM-Nr. 100154466/UGD/005/A 500000094890
		Type TB	Number 09185XXX321		Rev. A Page 1/2

no. of contacts	performance level			insulator colour	dimensions			
	PL3	PL2	S4		A max.	B	E	
	part number	part number	part number					
06	09 18 506 7321	09 18 506 6321	09 18 506 5321	grey	15,4	12,78	2,54 x 2 = 5,08	
10	09 18 510 7321	09 18 510 6321	09 18 510 5321		20,5	17,86	2,54 x 4 = 10,16	
14	09 18 514 7321	09 18 514 6321	09 18 514 5321		25,6	22,94	2,54 x 6 = 15,24	
16	09 18 516 7321	09 18 516 6321	09 18 516 5321		28,1	25,48	2,54 x 7 = 17,78	
20	09 18 520 7321	09 18 520 6321	09 18 520 5321		33,2	30,56	2,54 x 9 = 22,86	
26	09 18 526 7321	09 18 526 6321	09 18 526 5321		40,8	38,18	2,54 x 12 = 30,48	
30	09 18 530 7321	09 18 530 6321	09 18 530 5321		45,9	43,26	2,54 x 14 = 35,56	
34	09 18 534 7321	09 18 534 6321	09 18 534 5321		51,0	48,34	2,54 x 16 = 40,64	
40	09 18 540 7321	09 18 540 6321	09 18 540 5321		58,6	55,96	2,54 x 19 = 48,26	
50	09 18 550 7321	09 18 550 6321	09 18 550 5321		71,5	68,66	2,54 x 24 = 60,96	
60	09 18 560 7321	09 18 560 6321	09 18 560 5321		84,2	81,36	2,54 x 29 = 73,66	
64	09 18 564 7321	09 18 564 6321	09 18 564 5321		89,3	86,44	2,54 x 31 = 78,74	
06	09 18 506 7321 001	09 18 506 6321 001	09 18 506 5321 001		black	15,4	12,78	2,54 x 2 = 5,08
10	09 18 510 7321 001	09 18 510 6321 001	09 18 510 5321 001			20,5	17,86	2,54 x 4 = 10,16
14	09 18 514 7321 001	09 18 514 6321 001	09 18 514 5321 001	25,6		22,94	2,54 x 6 = 15,24	
16	09 18 516 7321 001	09 18 516 6321 001	09 18 516 5321 001	28,1		25,48	2,54 x 7 = 17,78	
20	09 18 520 7321 001	09 18 520 6321 001	09 18 520 5321 001	33,2		30,56	2,54 x 9 = 22,86	
26	09 18 526 7321 001	09 18 526 6321 001	09 18 526 5321 001	40,8		38,18	2,54 x 12 = 30,48	
30	09 18 530 7321 001	09 18 530 6321 001	09 18 530 5321 001	45,9		43,26	2,54 x 14 = 35,56	
34	09 18 534 7321 001	09 18 534 6321 001	09 18 534 5321 001	51,0		48,34	2,54 x 16 = 40,64	
40	09 18 540 7321 001	09 18 540 6321 001	09 18 540 5321 001	58,6		55,96	2,54 x 19 = 48,26	
50	09 18 550 7321 001	09 18 550 6321 001	09 18 550 5321 001	71,5		68,66	2,54 x 24 = 60,96	
60	09 18 560 7321 001	09 18 560 6321 001	09 18 560 5321 001	84,2		81,36	2,54 x 29 = 73,66	
64	09 18 564 7321 001	09 18 564 6321 001	09 18 564 5321 001	89,3		86,44	2,54 x 31 = 78,74	

	All Dimensions in mm Original Size DIN A3	Scale 1:1	Free size tol.	Ref. Sub. TB 09185XXX321 / 50000068837 / 2014-05-16	
	All rights reserved Department EC PD - DE	Created by STORCK	Inspected by LEHNERT	Standardisation HOFFMANN	Date 2015-12-07
HARTING Electronics GmbH D-32339 Espelkamp		Title SEK 18 male low profile angled solder 4.5			Doc-Key / ECM-Nr. 100154466/UGD/005/A 50000094890
		Type TB	Number 09185XXX321		Rev. A Page 2/2