

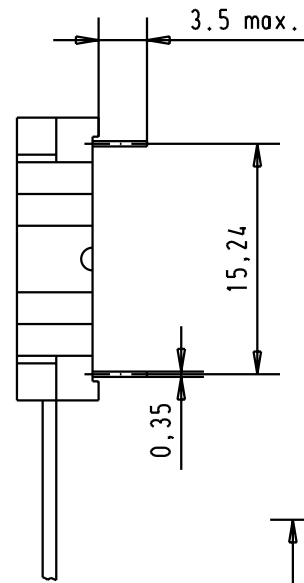
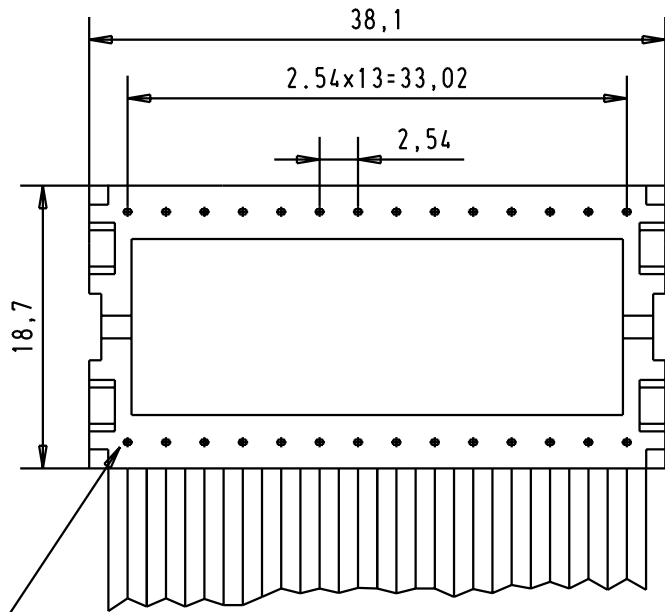
5

4

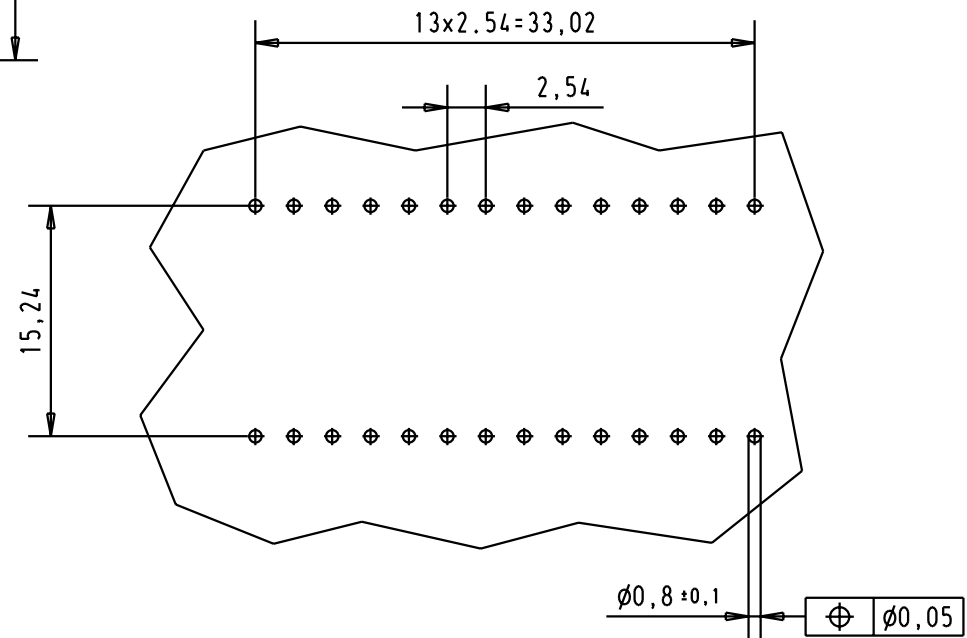
3

2

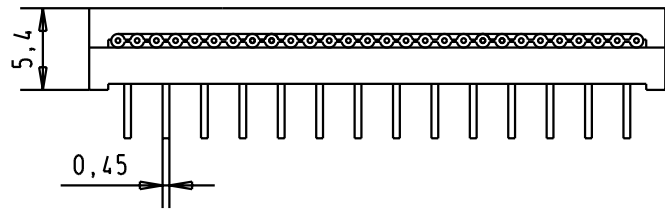
1





Printed board layout



1. Leiter / 1st wire / 1er cable



				Dat.	Name	 All Dim. in mm Orig. Size DIN A 4	SEK 17 DIP connector 28 poles, for IC base or for soldering into P.C. boards Tinned contact	Moßstab/ Scale
			Detail.	25-APR-02	CV			2:1
			Insp.					
			Stand.					
29778	25-APR-02	CV	HARTING EURL F-95972 Paris				TB 09170289622	Blatt/ Page 1
Mod.	Dat.	Name					Sub.	