

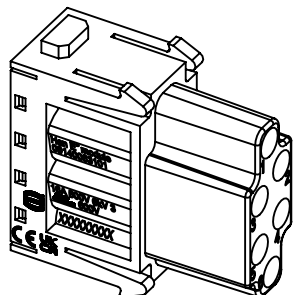
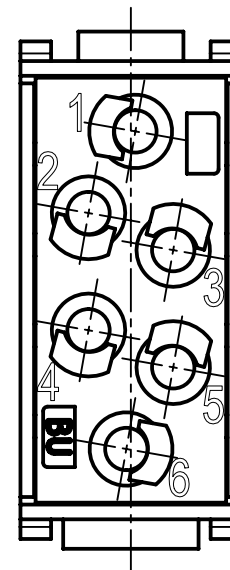
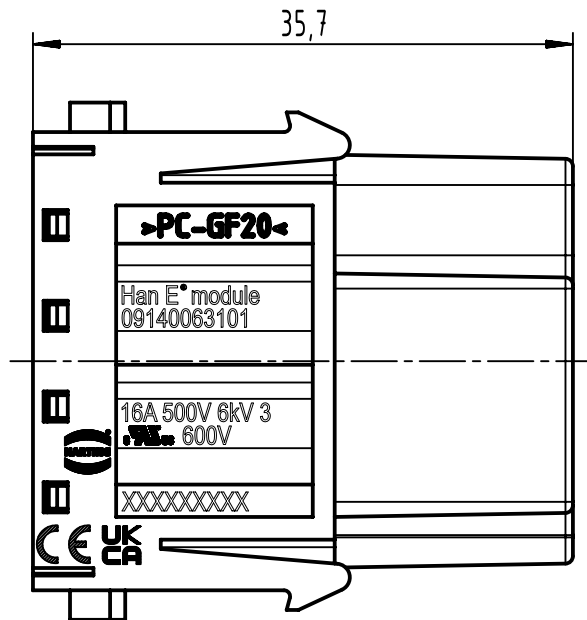
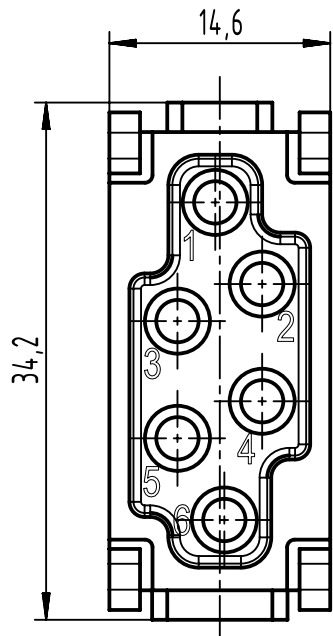
1 2 3 4 5 6

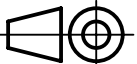

A

B

C

D



 All Dimensions in mm Original Size DIN A4	Scale	Free size tol.		Ref.	
	2:1			Sub.	
 All rights reserved Department EL PD	Created by	Inspected by	Standardisation	Date	State
	MEYERLE	SUNDERMEIER		2022-10-19	Final Release
HARTING D-32339 Espelkamp	Title			Doc-Key / ECM-Nr.	
	Han E module, crimp female			100086577/UGD/010/F 50000227885	
Type		Number		Rev.	Page
TB		09 14 006 3101		F	1/1