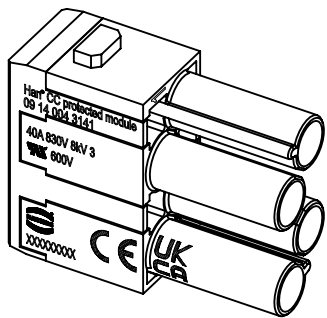
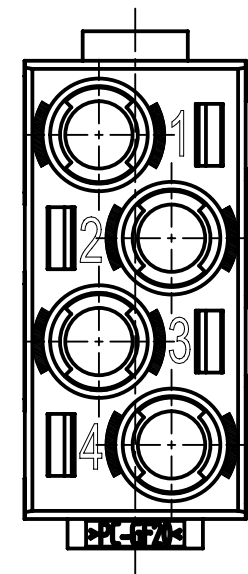
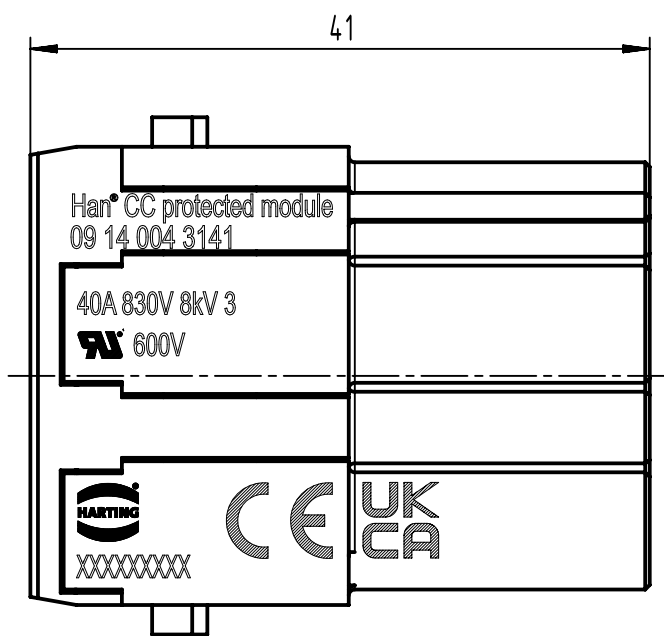
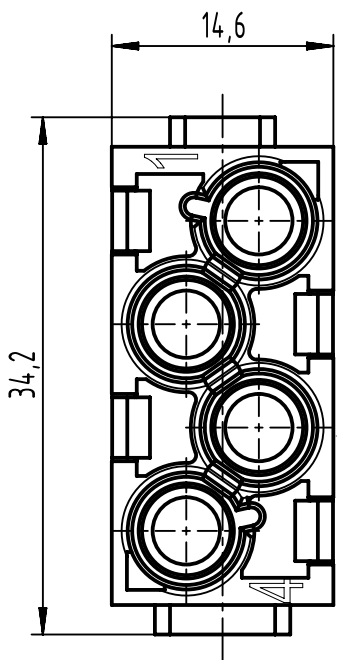


A

B

C

D



	All rights reserved Department EL PD	All Dimensions in mm Original Size DIN A4	Scale 2:1	Free size tol.	Ref.	
		HARTING D-32339 Espelkamp	Created by HOLLERT	Inspected by SUNDERMEIER	Standardisation	Date 2022-12-01
Title Han CC Protected module, crimp female					Doc-Key / ECM-Nr. 100174540/UGD/008/A 500000231302	
			Type TB	Number 09 14 004 3141	Rev. A	Page 1/1