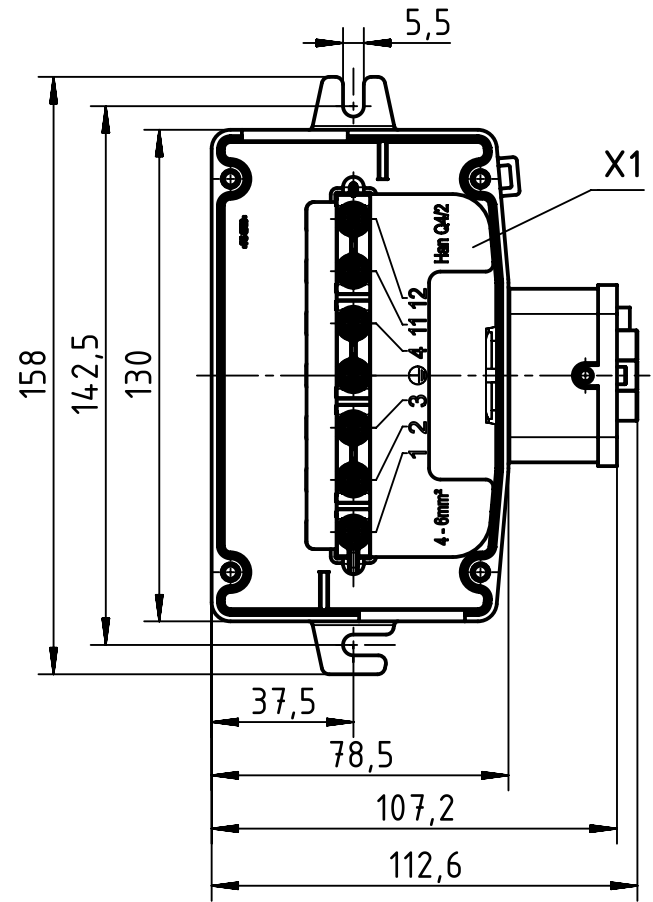
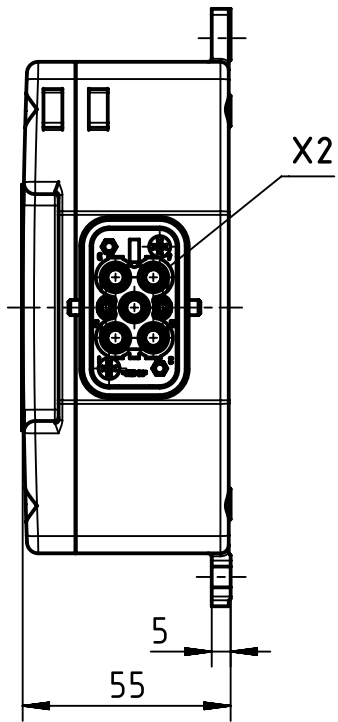
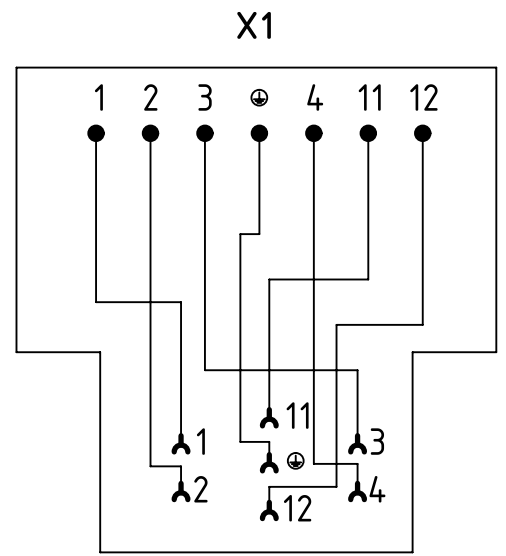


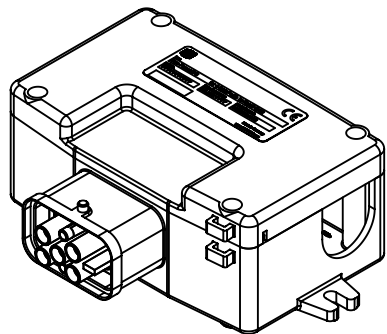
without cover



wiring plan



X2
Han Q4/2



	All rights reserved Department EL PD	All Dimensions in mm Original Size DIN A4		Scale 1:2	Free size tol.	Ref.	
		Created by FINKEV	Inspected by RIEPE	Standardisation TIEMANNA	Date 2019-06-24	State Final Release	Sub.
HARTING Electric GmbH & Co. KG D-32339 Espelkamp		Title Han-Power S with 1x Han Q4/2-F; 4-6mm ²				Doc-Key / ECM-Nr. 100226596/UGD/002/B 5000001534.05	
		Type TB	Number 09 12 008 4806			Rev. B	Page 1/1