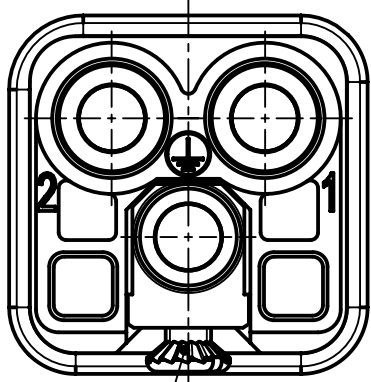


A

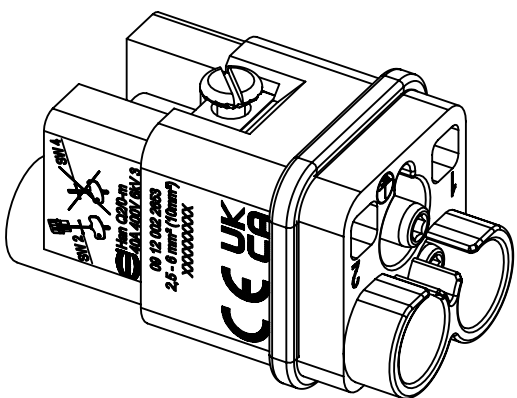
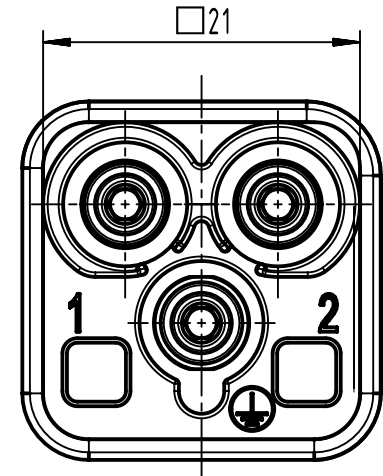
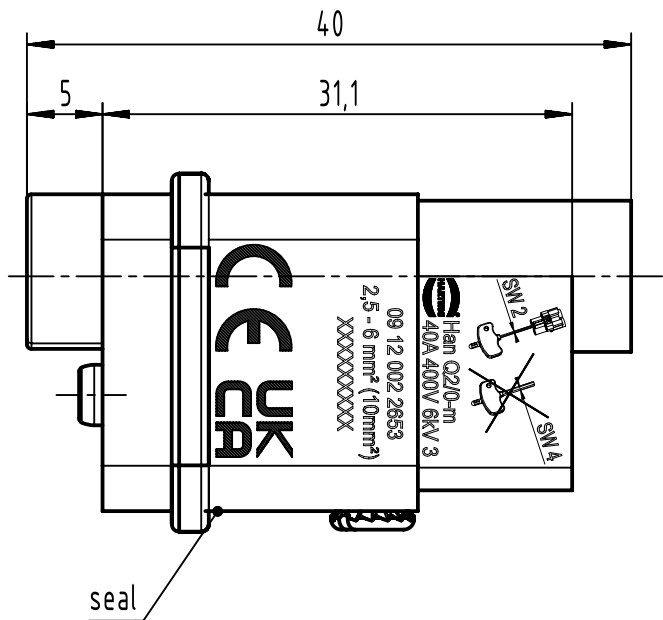
B

C

D



insert fixing screw M3x6 enclosed separately



	All Dimensions in mm Original Size DIN A4	Scale	Free size tol.		Ref.
		2:1			Sub.
	All rights reserved Department EL PD	Created by	Inspected by	Standardisation	Date
		100887	SUNDERMEIER		2022-10-28
HARTING D-32339 Espelkamp		Title			Doc-Key / ECM-Nr. 100177394/UGD/005/B 500000225850
		Han Q 2/0-sti 2,5-6 mm <sup>2</sup>			
		Type	Number	Rev.	Page
		TB	09 12 002 2653	B	1/1