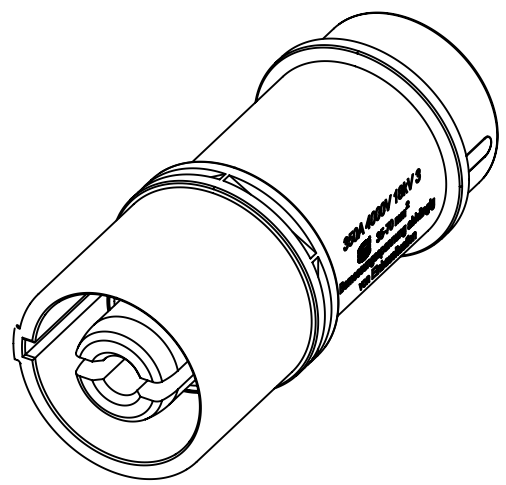
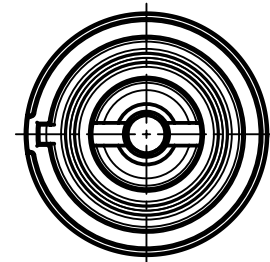
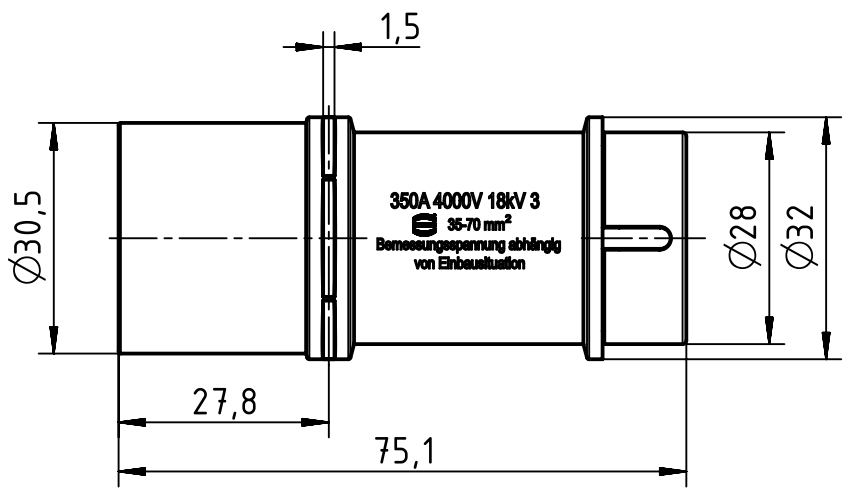


A

B

C

D



Leiterquerschnitt/ wire gauge	
35-70 mm <sup>2</sup>	AWG 1-2/0

	All Dimensions in mm Original Size DIN A4	Scale 1:1	Free size tol.		Ref.		
		All rights reserved	Created by RULLKOETTER	Inspected by SCHNIEDER	Standardisation RUETERA	Date 2018-02-16	State Final Release
Department EL PD		Title Han 1HC-sti-AX (350A,35-70mm <sup>2</sup> )			Doc-Key / ECM-Nr. 100132460/UGD/006/C 500000131413		
HARTING Electric GmbH & Co. KG D-32339 Espelkamp		Type TB	Number 09 11 001 2651			Rev. C	Page 1/1