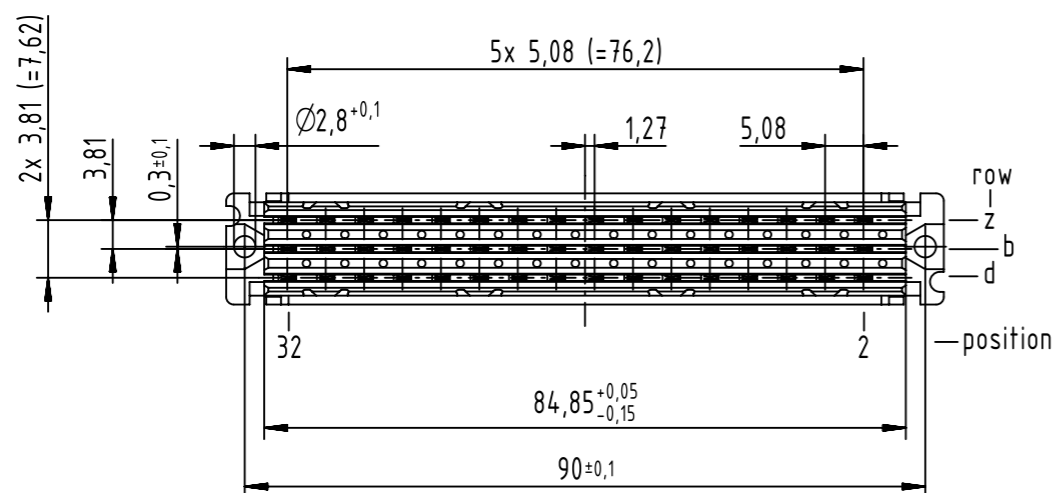
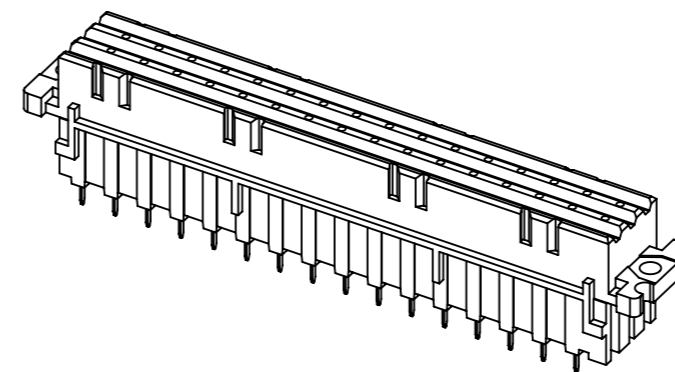
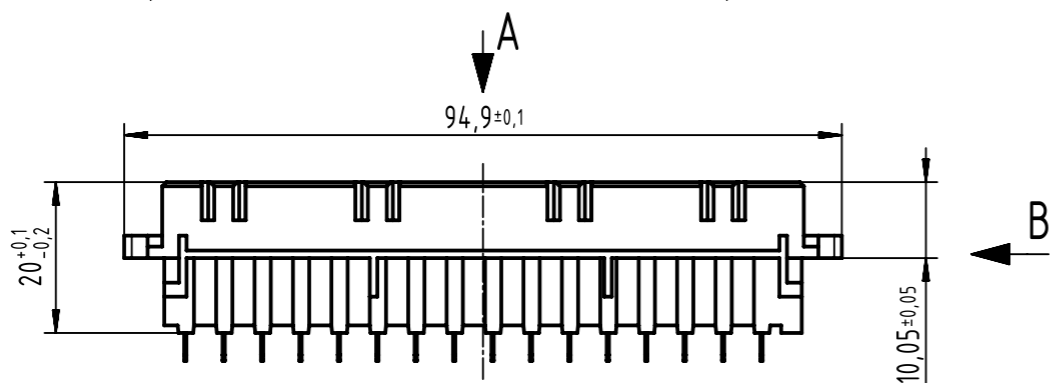
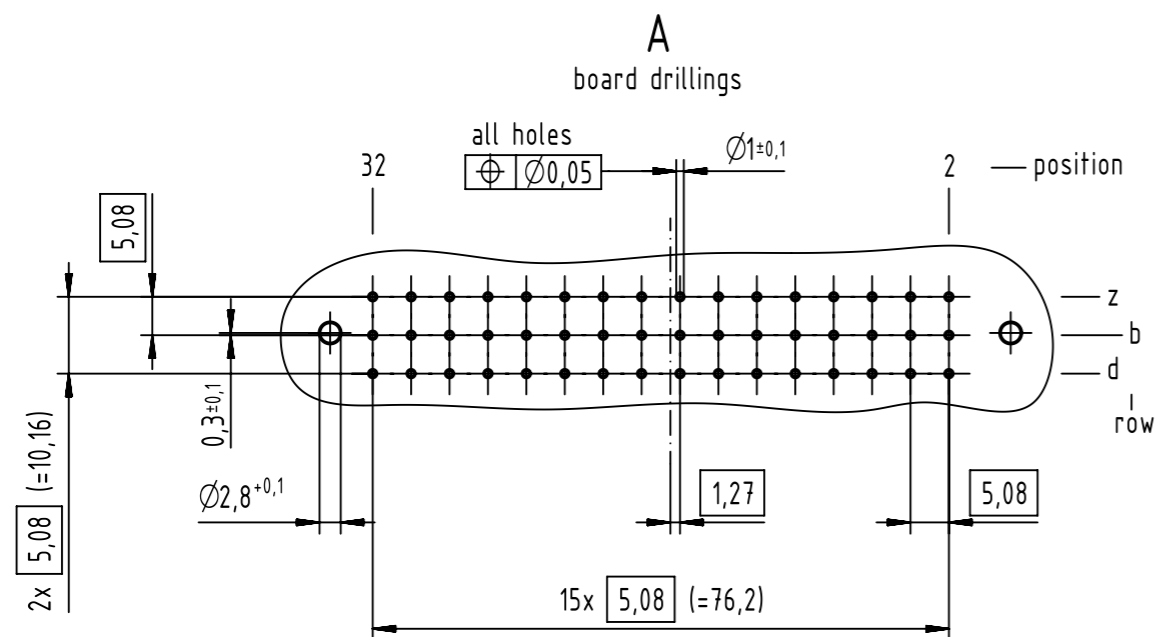
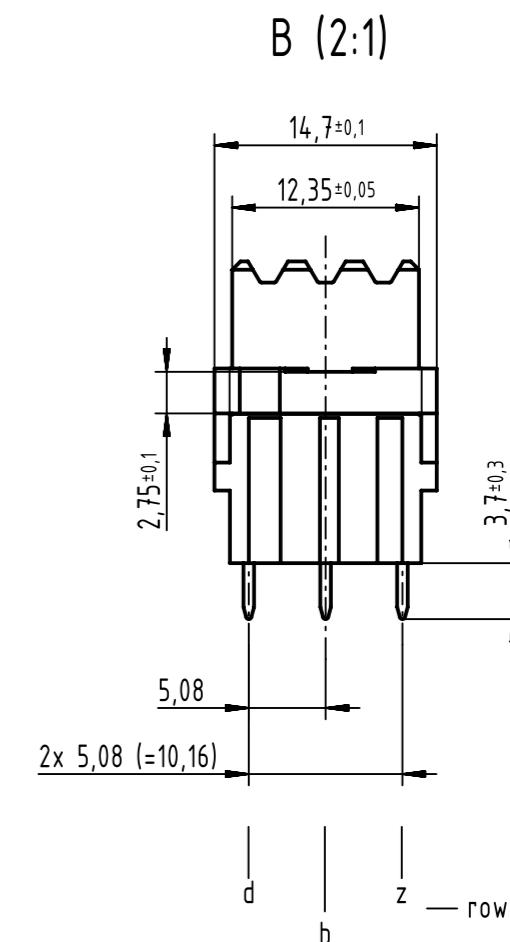


48 solder - contacts
 ■ = position with contact
 □ = position without contact



1 further information see: DS 09062100001

09 06 248 6848	2
09 06 248 2848	1
part no.	performance level 1

All Dimensions in mm Original Size DIN A3		Scale 1:1	Free size tol. IEC 60603-2		Ref. Sub.
All rights reserved Department EL PD		Created by LEHNERT	Inspected by DAHMS	Standardisation HOFFMANN	Date 2018-06-15
HARTING Electronics GmbH D-32339 Espelkamp		Title DIN Power type F female solder 3.7 48-pole			State Final Release
		Type TB	Number 0906248X848		Doc-Key / ECM-Nr. 100072612/UGD/013/C 500000136362
				Rev. C	Page 1/1