

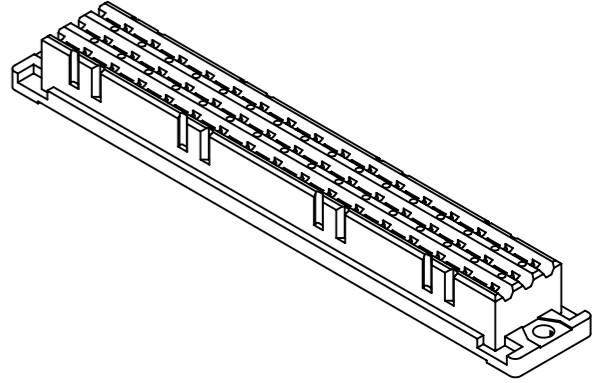
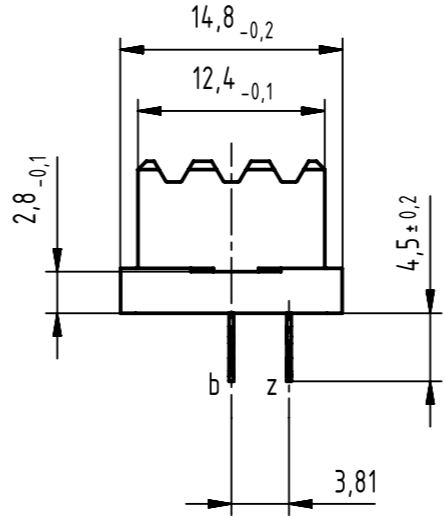
**X**  
Lochbild  
board drillings

**X**  
Kontaktanordnung  
contact arrangement

32 Einpress Kontakte  
32 press-in contacts

- ☒ = Kontaktposition belegt  
= position with contact
- ☐ = Kontaktposition nicht belegt  
= position without contact

**Z (2:1)**



Empfohlener Lochaufbau und  
weitere Informationen siehe: DS 09062100006  
recommended configuration of plated through holes  
and further information see: DS 09062100006

09 06 232 6832	2
09 06 232 2832	1
Bestell-Nr. part-no.	Anforderungsstufe performance level <b>1</b>

	All Dimensions in mm Original Size DIN A3	Scale 1:1	Free size tol. complementary IEC 60603-2	Ref. Sub. TB 0906232x832 Mod. 36516 08.05.12		
	All rights reserved Department EC PD - DE	Created by LEHNERT	Inspected by LUECKEMEIERM	Standardisation HOFFMANN	Date 2013-05-13	State Final Release
HARTING Electronics GmbH D-32339 Espelkamp		Title DIN Power type F low-prof. fem. press-in			Doc-Key / ECM-Nr. 100205271/UGD/006/B 50000061876	
		Type TB	Number 0906232X832		Rev. B	Page 1/1