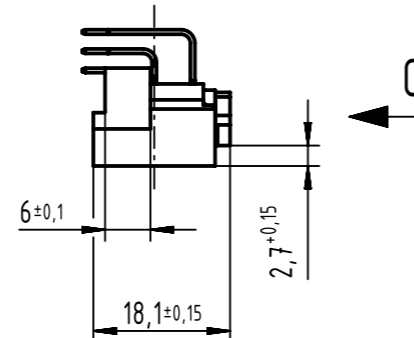
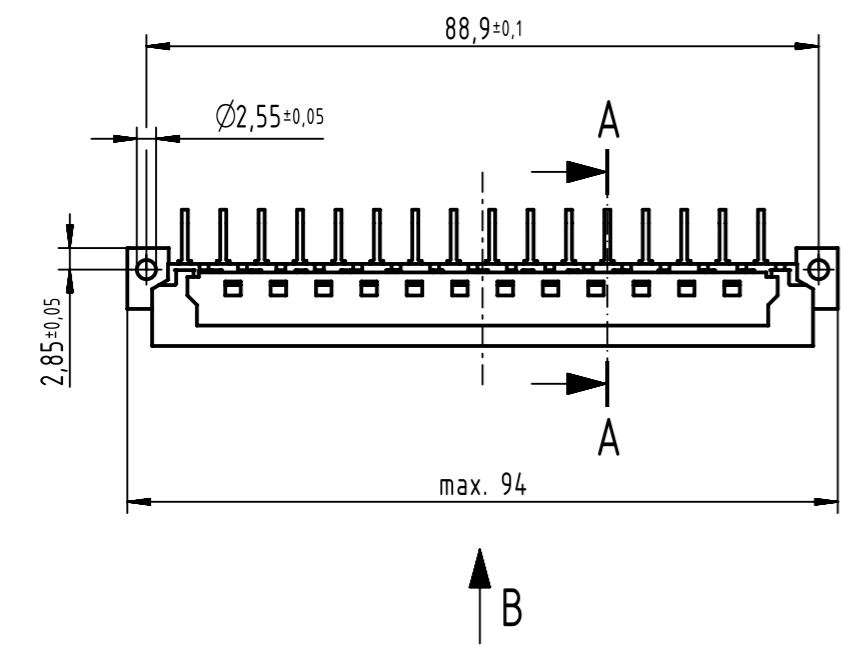
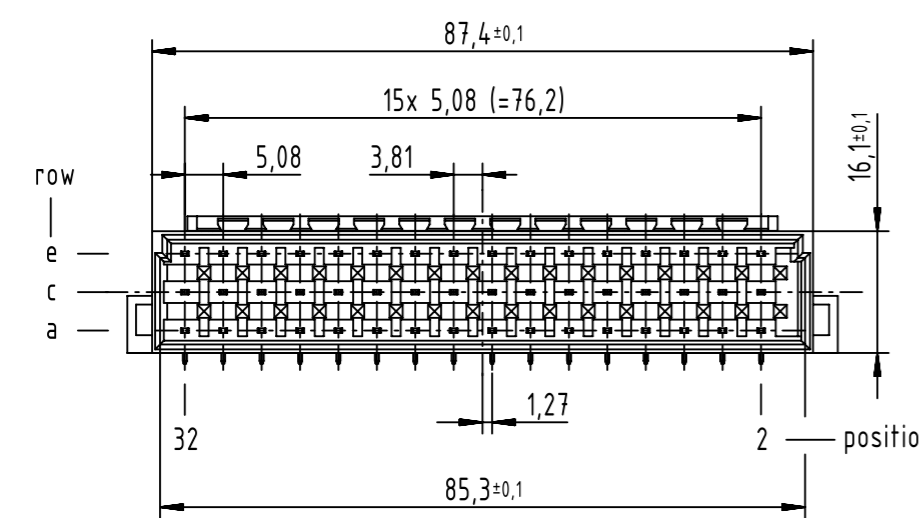
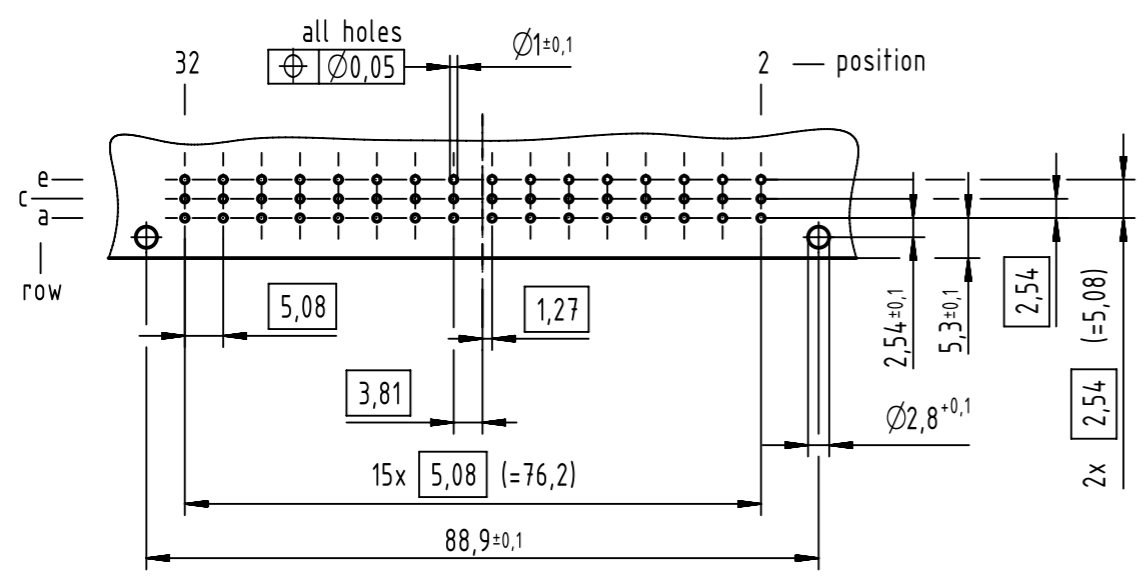
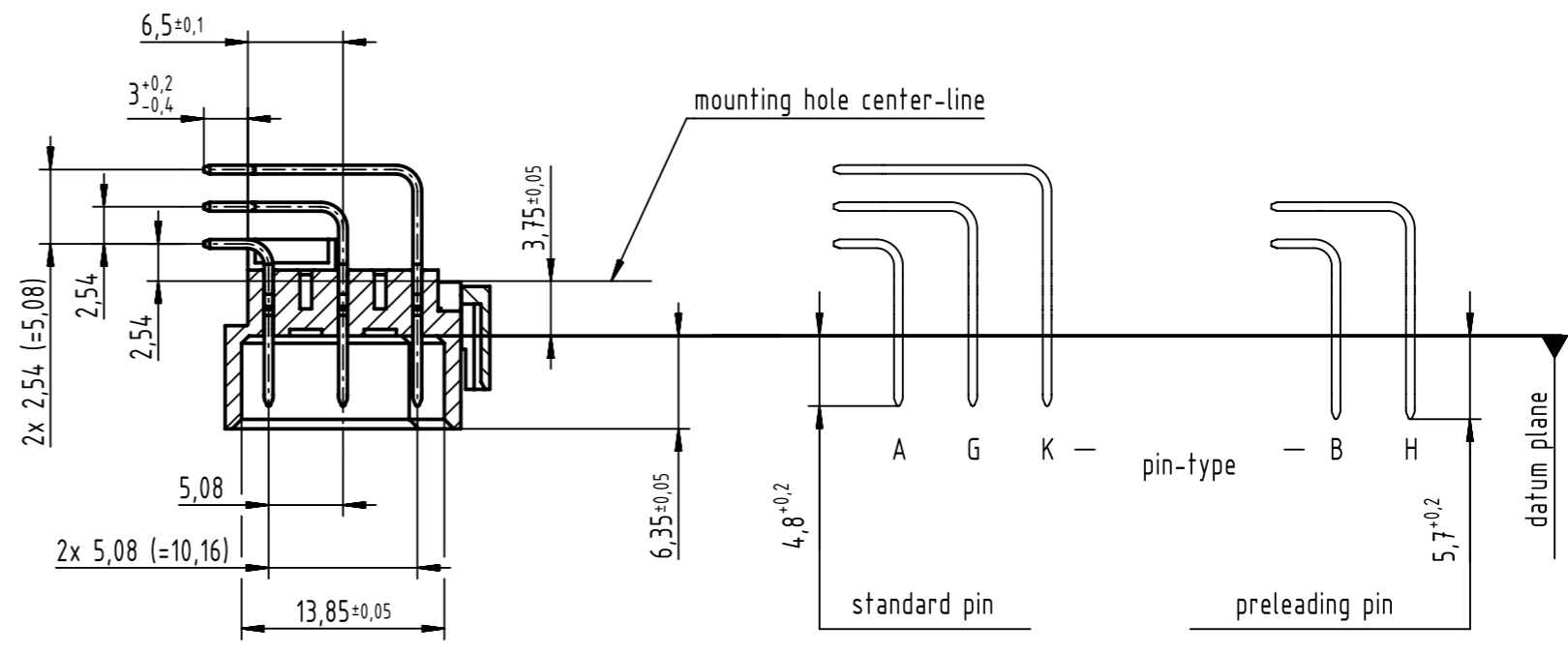


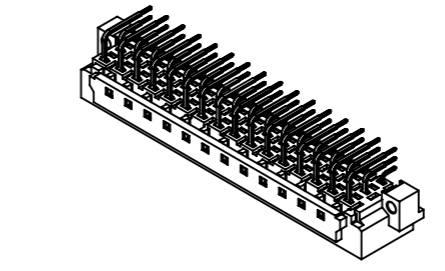
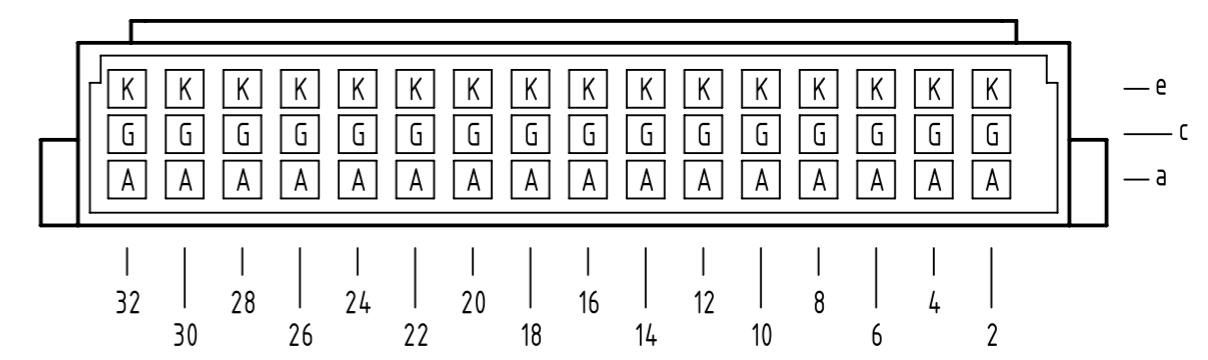
C
board drillings



A-A (2:1)



B
contact loading



1 further information see: DS 09041000201

| | |
|----------------|---------------------|
| 09 05 648 6931 | 2 |
| part no. | performance level 1 |

| | | | | | | |
|---|--|---|-----------------------|-------------------------------|---|--------------------|
| | All Dimensions in mm Original Size DIN A3 | | Scale 1:1 | Free size tol. IEC 60603-2 | Ref. Sub. TB 09 05 648 x931 / Mod.36460 / 02.12.2011 | |
| | All rights reserved Department EL PD | | Created by KAHLERK | Inspected by LEHNERT | Standardisation HOFFMANN | Date 2017-02-03 |
| HARTING Electronics GmbH D-32339 Espelkamp | | Title DIN Power type E male solder angled 2.54mm with coding | | | Doc-Key / ECM-Nr. 1000724-10/UGD/053/B 500000114783 | |
| | | Type TB | Number 0905648X931 | | Rev. B | Page 1/1 |