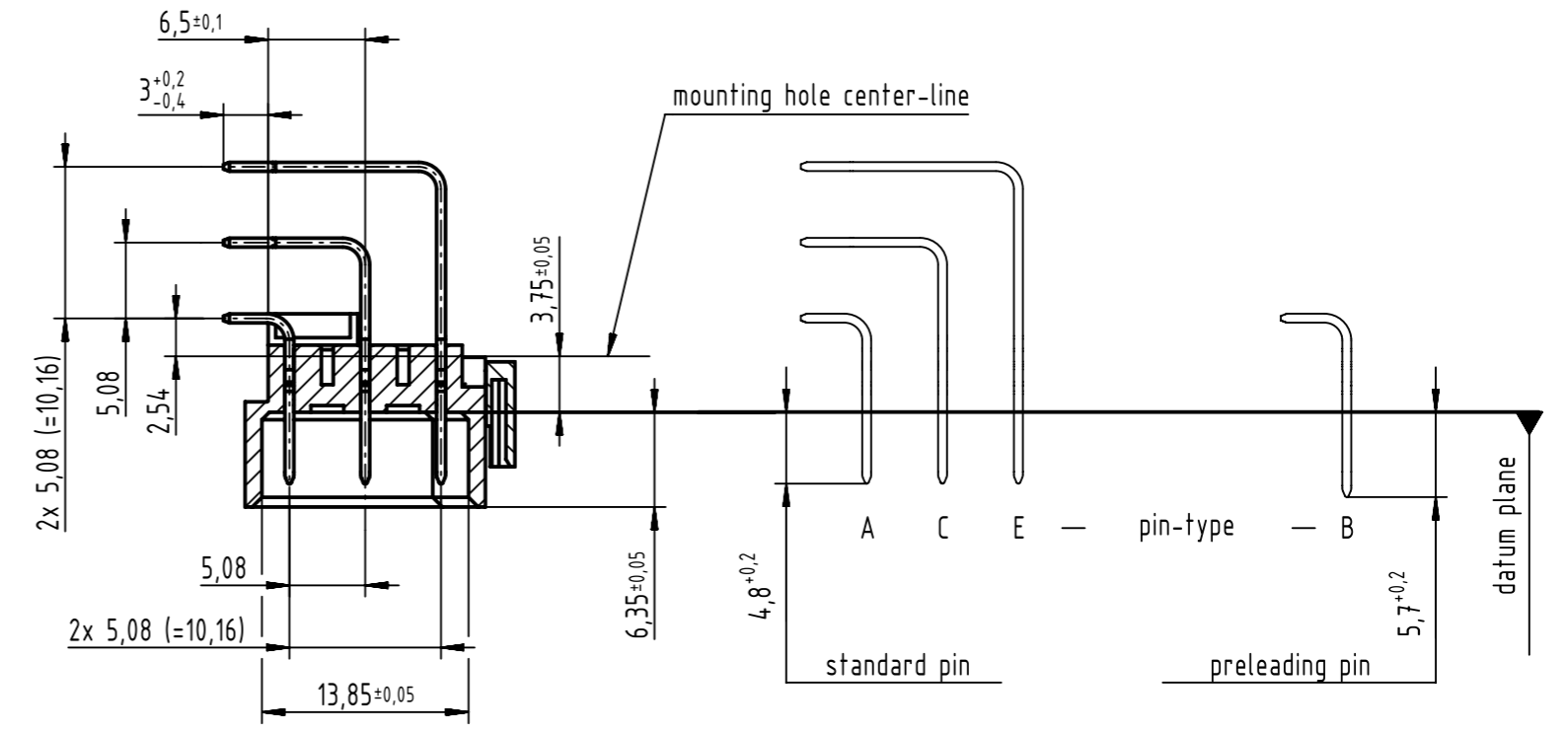
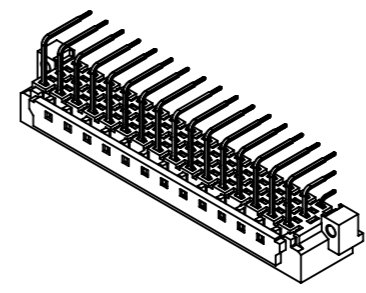
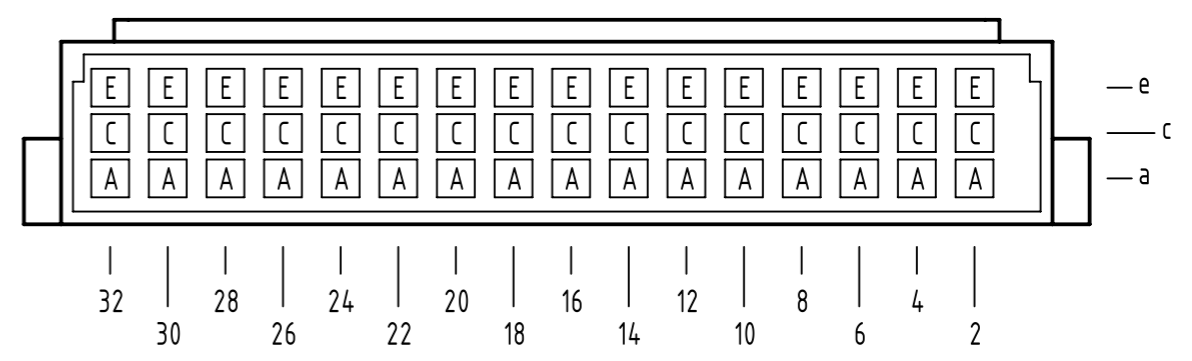


A-A (2:1)



B contact loading



1 further information see: DS 09041000201

09 05 648 6921	2
09 05 648 2921	1
part no.	performance level 1

<p>All rights reserved Department EL PD</p>	<p>All Dimensions in mm Original Size DIN A3</p>	<p>Scale 1:1</p>	<p>Free size tol. IEC 60603-2</p>	<p>Ref. Sub. TB 09 05 648 x921 / Mod.36460 / 02.12.2011</p>	
	<p>HARTING Electronics GmbH D-32339 Espelkamp</p>	<p>Created by KAHLERK</p>	<p>Inspected by LEHNERT</p>	<p>Standardisation HOFFMANN</p>	<p>Date 2017-02-03</p>
<p>Title DIN Power type E male solder angled 5.08 with coding</p>				<p>Doc-Key / ECM-Nr. 1000724-10/UGD/051/B 500000114783</p>	
<p>Type TB</p>		<p>Number 0905648X921</p>		<p>Rev. B</p>	<p>Page 1/1</p>