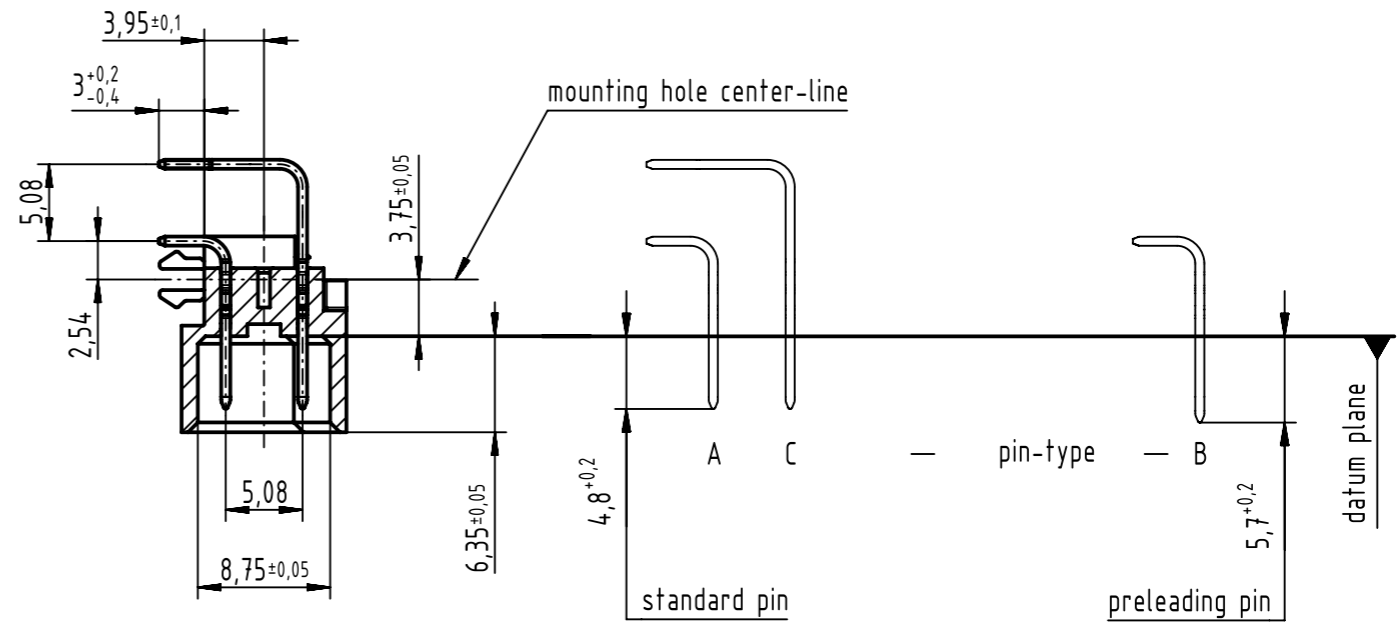
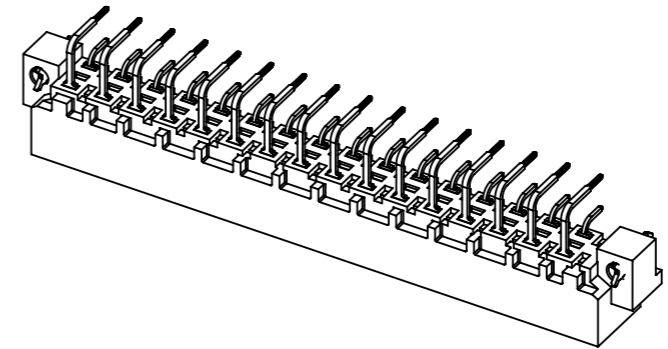
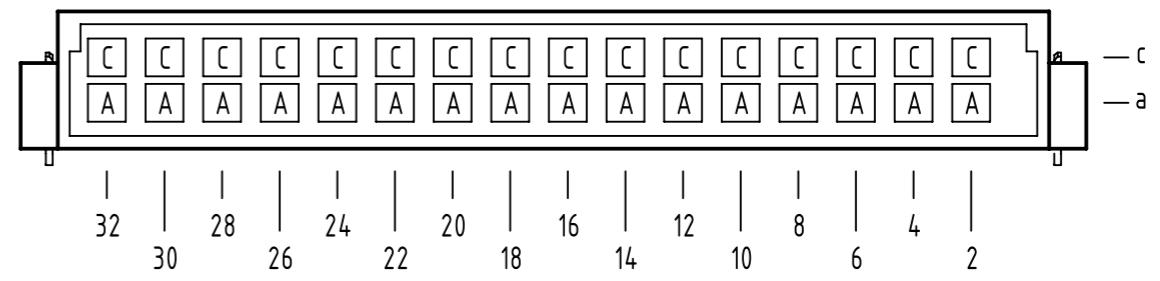


A-A (2:1)



B contact loading



1 further information see: DS 09041030201

09 04 332 6919	2
part no.	performance level 1

<p>All rights reserved Department EC PD - DE</p>	All Dimensions in mm Original Size DIN A3	Scale 1:1	Free size tol. IEC 60603-2	Ref.
	Created by STORCK	Inspected by LEHNERT	Standardisation HOFFMANN	Date 2017-02-03
<p>HARTING Electronics GmbH D-32339 Espelkamp</p>	Title DIN Power type D male solder 5.08 with clip 32-pole THR			State Final Release
	Type TB	Number 0904332X919	Doc-Key / ECM-Nr. 100184595/UGD/051/B 500000114739 Rev. B Page 1/1	