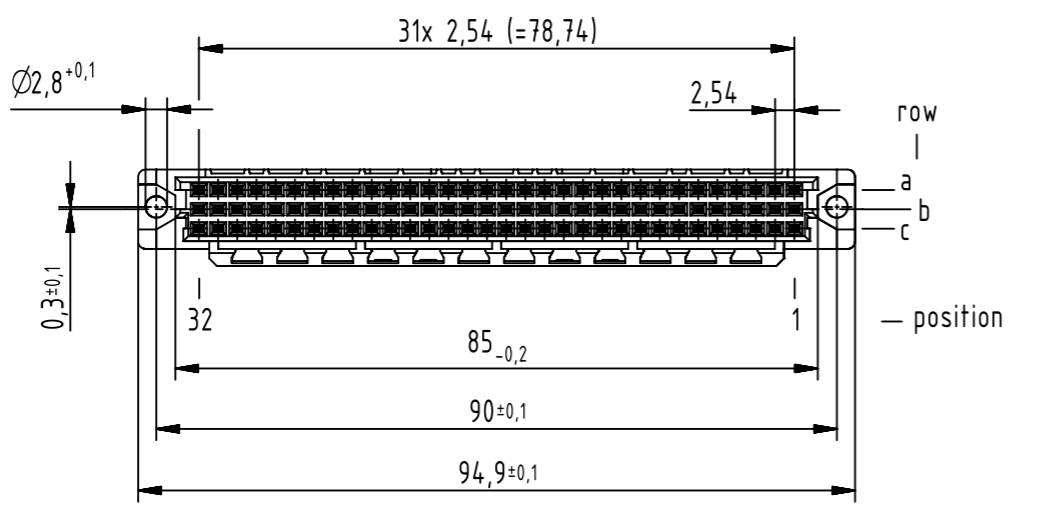
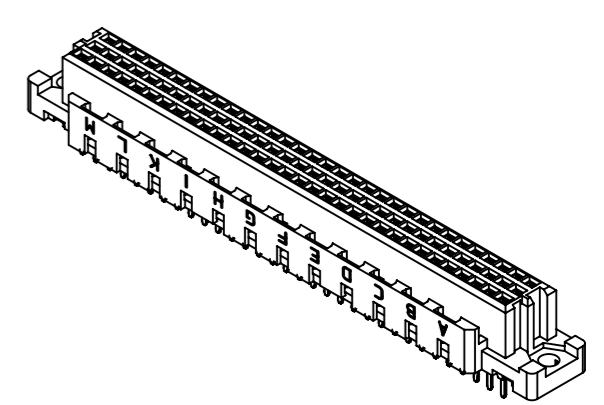
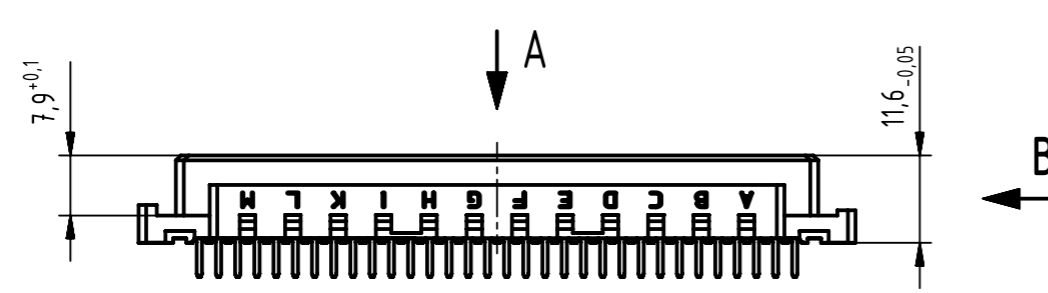


- 96 solder contacts
- ☒ = solder contact
 - = kinked solder contact
 - = position without contact



| | |
|----------------|----------------------------|
| 09 03 796 6825 | 2 |
| 09 03 796 2825 | 1 |
| part no. | performance level 1 |

1 further information see: DS 09032100001

| | | | | | |
|---|--|--|-------------------------------|---|---|
| | All Dimensions in mm Original Size DIN A3 | Scale 1:1 | Free size tol. IEC 60603-2 | Ref. Sub. TB 09 03 796 x825 Mod. 36400 v. 08.07.11 | |
| | All rights reserved Department EL PD | Created by HAGEMEYERE | Inspected by TADJE | Standardisation HOFFMANN | Date 2013-11-11 |
| HARTING Electronics GmbH D-32339 Espelkamp | | Title DIN Signal type C female solder 4.5 with coding 96-pole | | | Doc-Key / ECM-Nr. 100173852/UGD/212/D 50000068354 |
| | | Type TB | Number 0903796X825 | Rev. D | Page 1/1 |