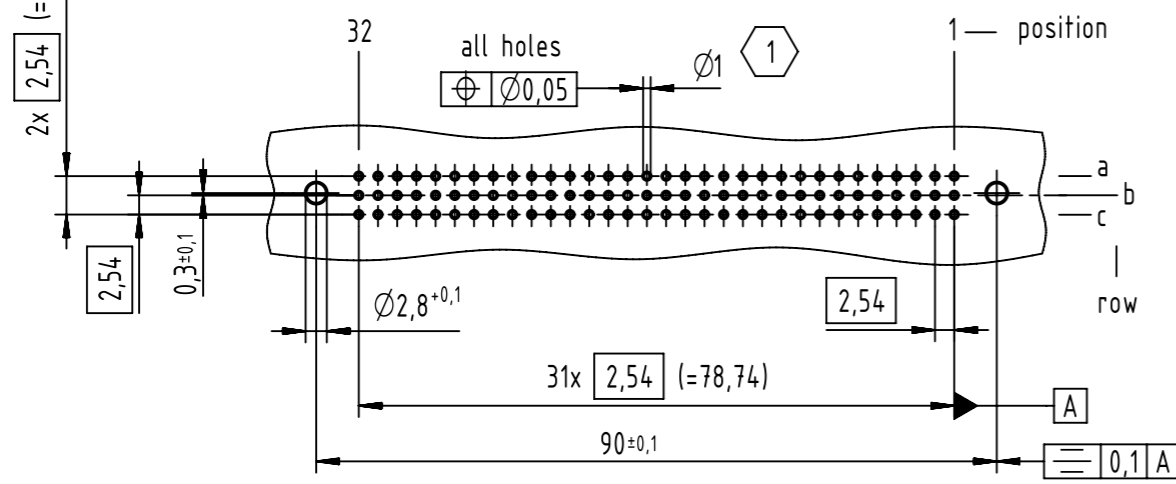


1 2 3 4 5 6 7 8

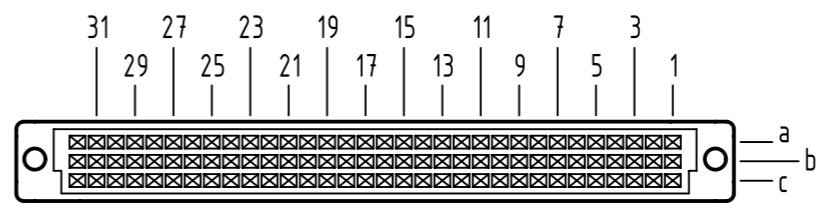
A
B
C
D
E
F

A
B
C
D
E
F

A
board drillings



A
contact arrangement

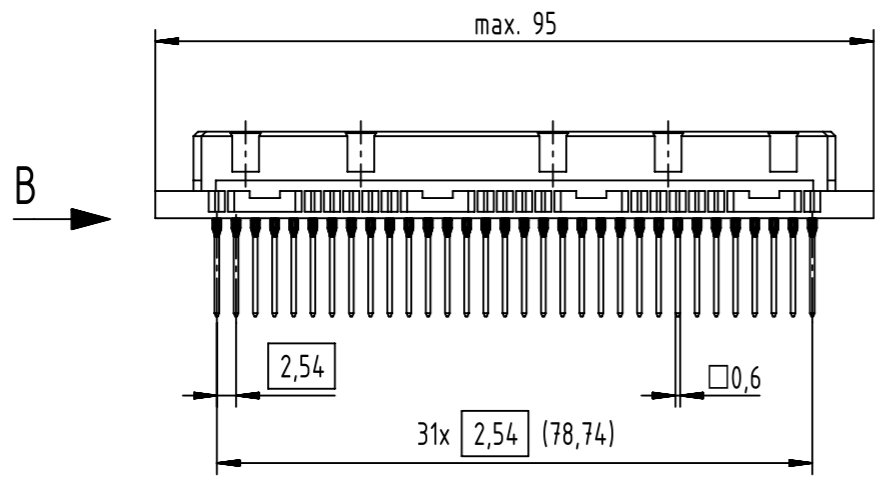


96 press-in contacts

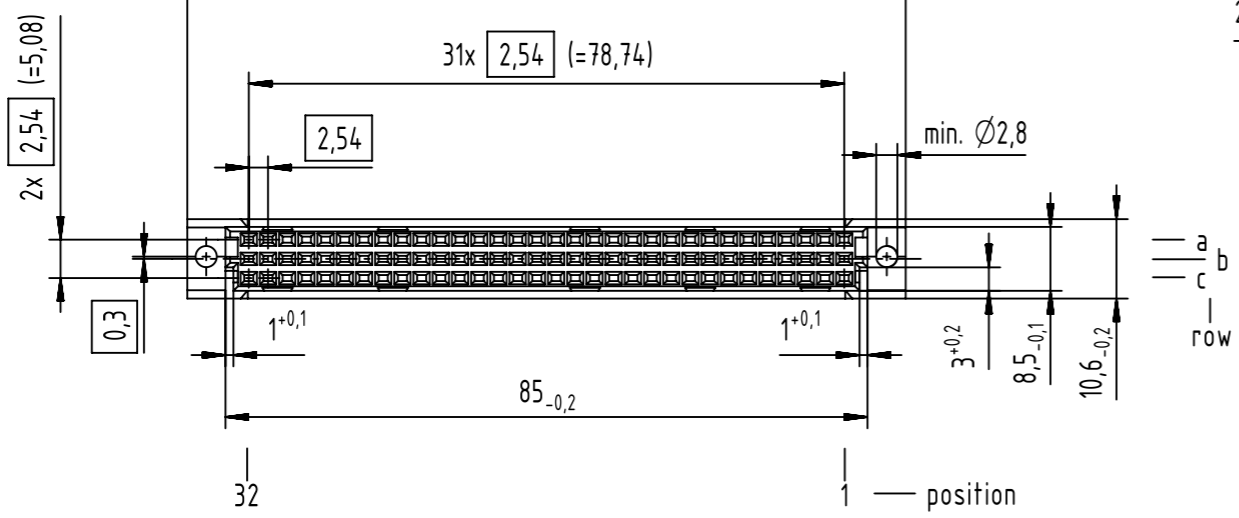
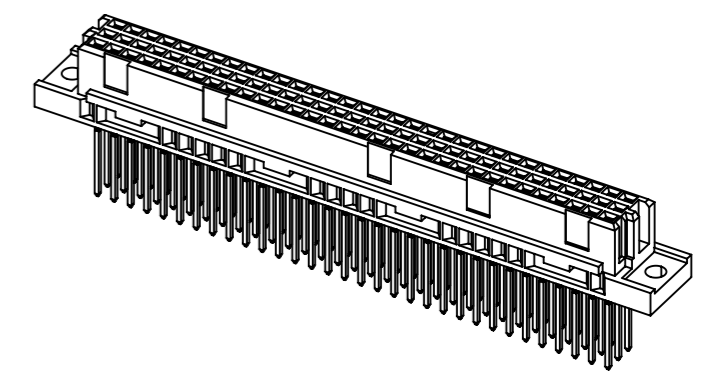
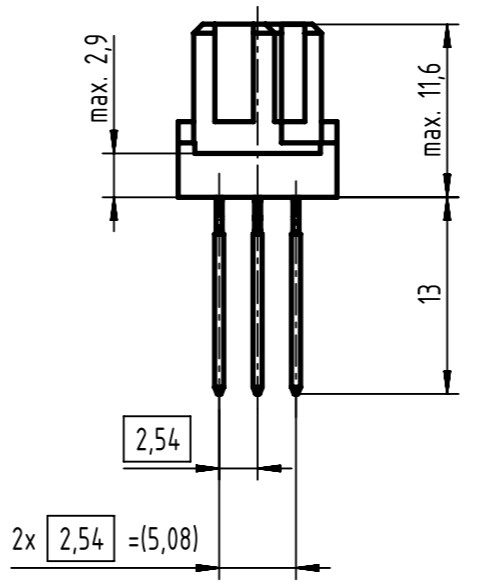
☒ = position with contact

☐ = position without contact

A



B (2:1)



1 recommended configuration of plated holes and further information see: DS 09032100007

09 03 296 6851 252	2
part no.	performance level 1

<p>All rights reserved Department EC PD - DE</p>	All Dimensions in mm Original Size DIN A3	Scale 1:1	Free size tol. IEC 60603-2	Ref. Sub.	
	<p>HARTING Electronics GmbH D-32339 Espelkamp</p>	Created by STORCK	Inspected by LEHNERT	Standardisation HOFFMANN	Date 2017-01-19
Title DIN Signal type C female press-in 13.0 96-pole				Doc-Key / ECM-Nr. 100678523/UGD/000/B 500000114120	
Type TB	Number 0903296X851252	Rev. B	Page 1/1		

1 2 3 4 5 6 7 8

A3