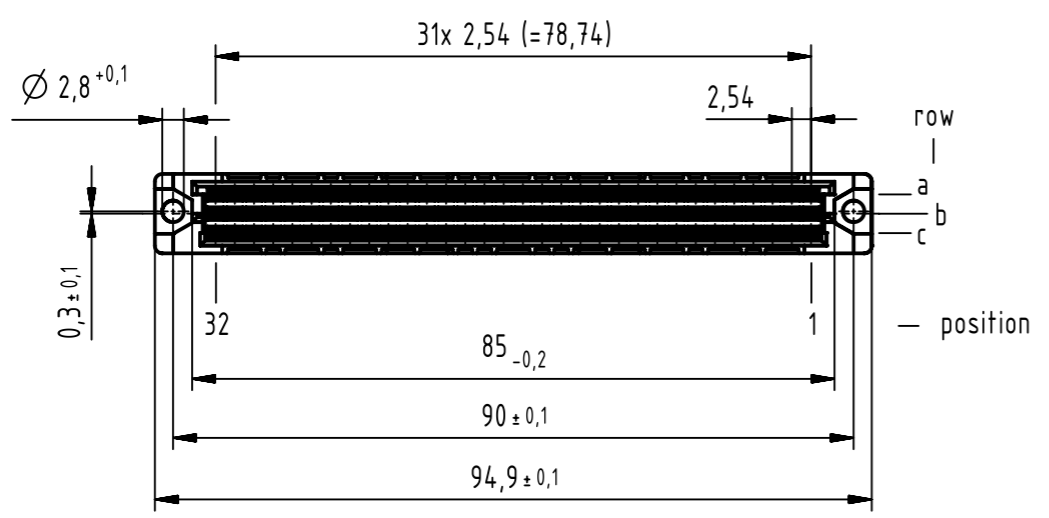
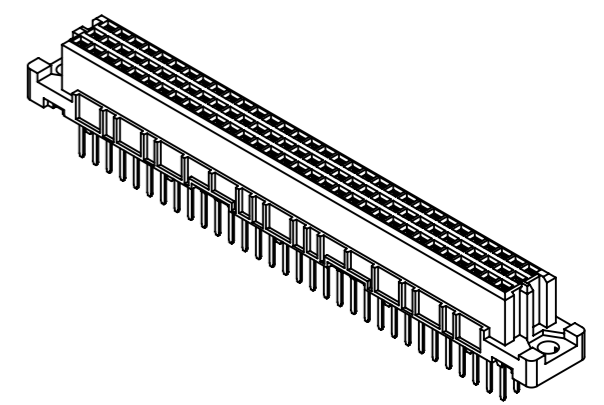
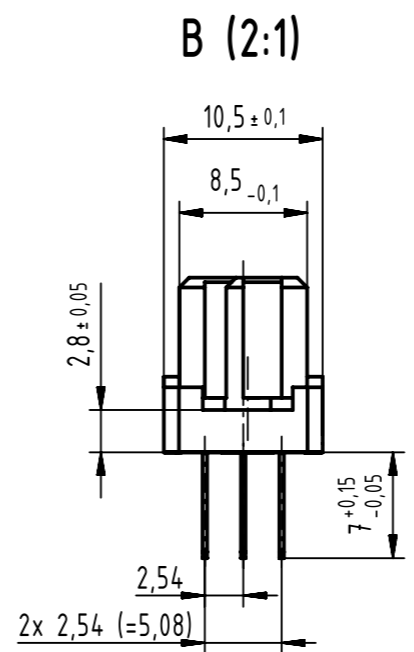
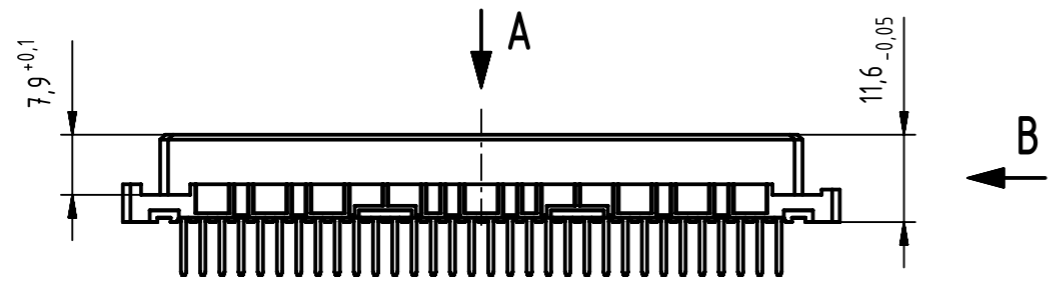


96 solder contacts

$\boxtimes$  = position with contact

$\square$  = position without contact



① further information see: DS 09032100001

09 03 296 6827	2
09 03 296 2827	1
part-no	performance level ①

	All Dimensions in mm Original Size DIN A3		Scale 1:1	Free size tol. IEC 60603-2		Ref. Sub. TB 0903296X827 / Mod.36109 / 10.08.10	
	All rights reserved Department EC PD - DE		Created by ZWAHR	Inspected by LEHNERT	Standardisation HOFFMANN	Date 2014-12-11	State Final Release
HARTING Electronics GmbH D-32339 Espelkamp		Title DIN Signal type C female solder 7.0			Doc-Key / ECM-Nr. 100173852/UGD/255/D 50000082368		Rev. D
		Type TB	Number 0903296X827		Page 1/1		