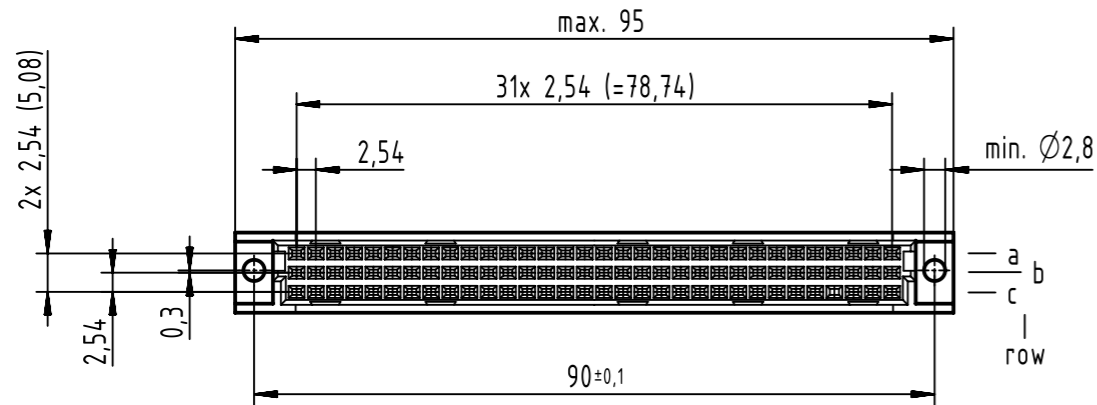
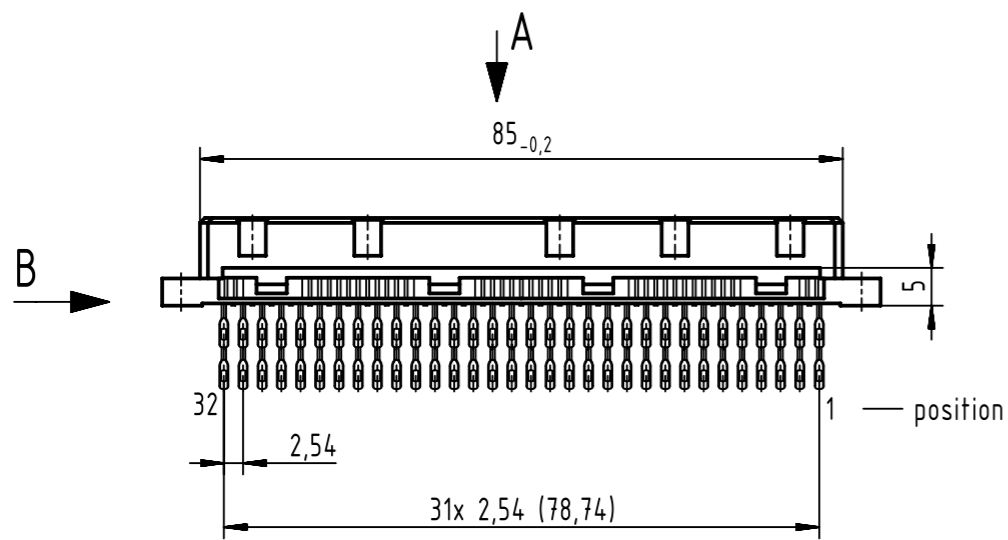


96 solder lug contacts

☒ = position with solder lug 5.5mm

■ = position with solder lug 11mm

□ = position without contact



① further information see: DS 09032100007

09 03 296 6823	2
part no.	performance level ①

	All Dimensions in mm Original Size DIN A3		Scale 1:1	Free size tol. IEC 60603-2		Ref. Sub.	
	All rights reserved Department EC PD - DE		Created by ELLERMANN	Inspected by TADJE	Standardisation HOFFMANN	Date 2017-01-02	State Final Release
HARTING Electronics GmbH D-32339 Espelkamp		Title DIN Signal type C female solder lug 96-pole				Doc-Key / ECM-Nr. 100158942/UGD/001/C 500000113162	
		Type TB	Number 0903296X823			Rev. C	Page 1/1