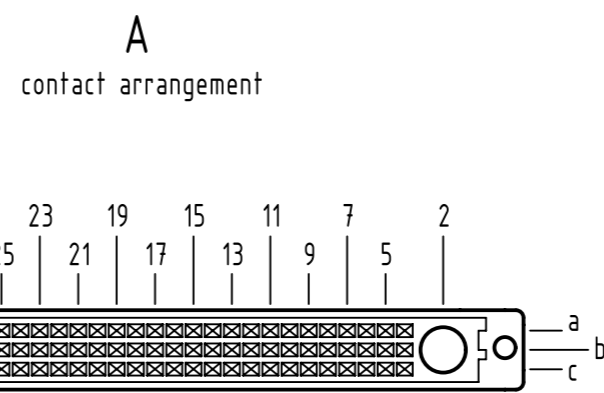
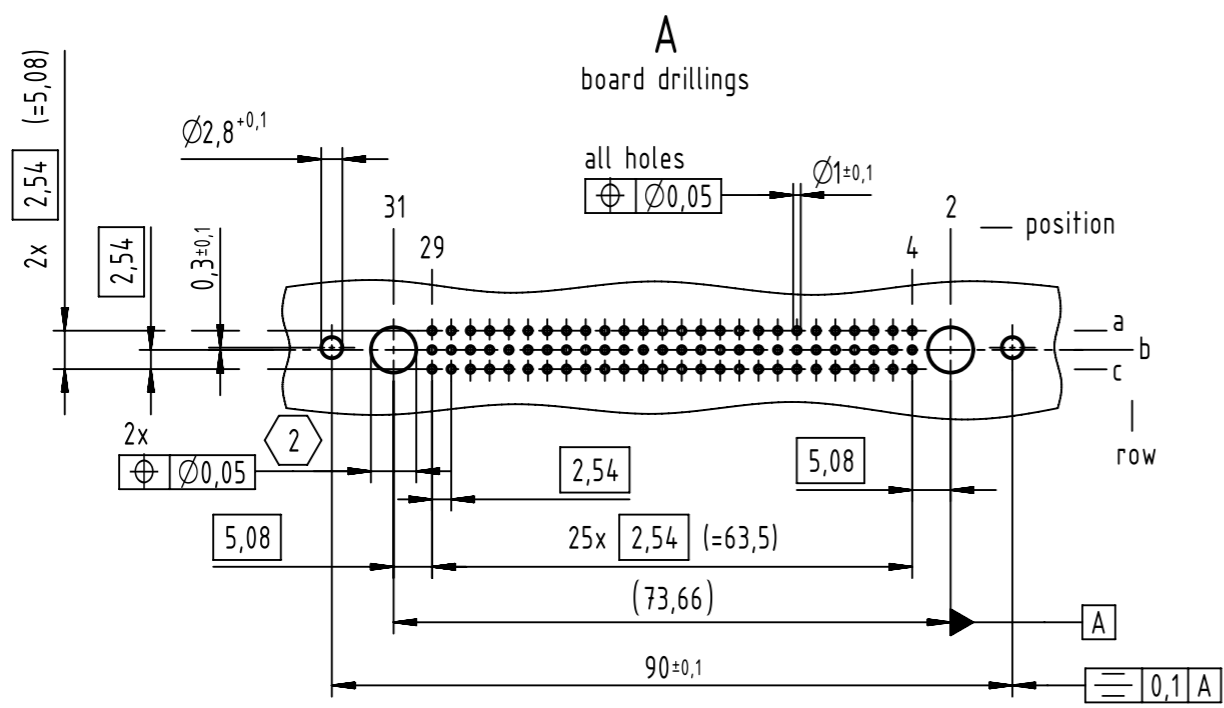


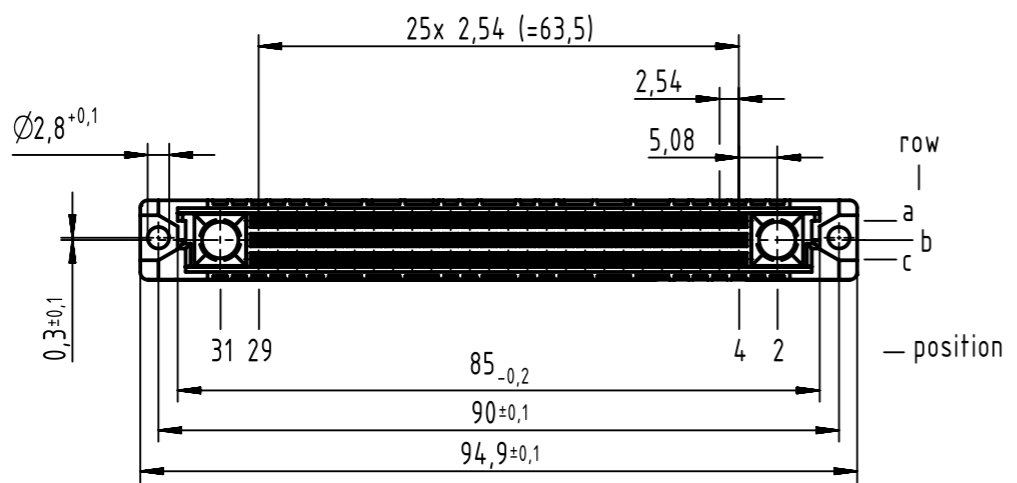
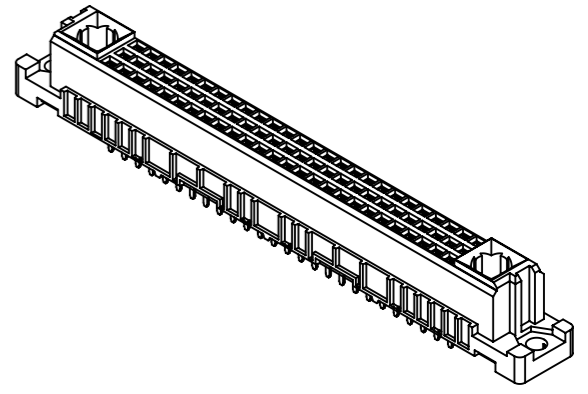
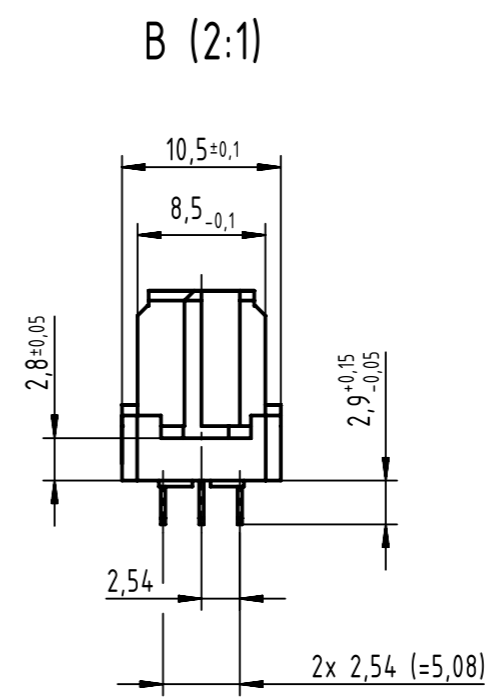
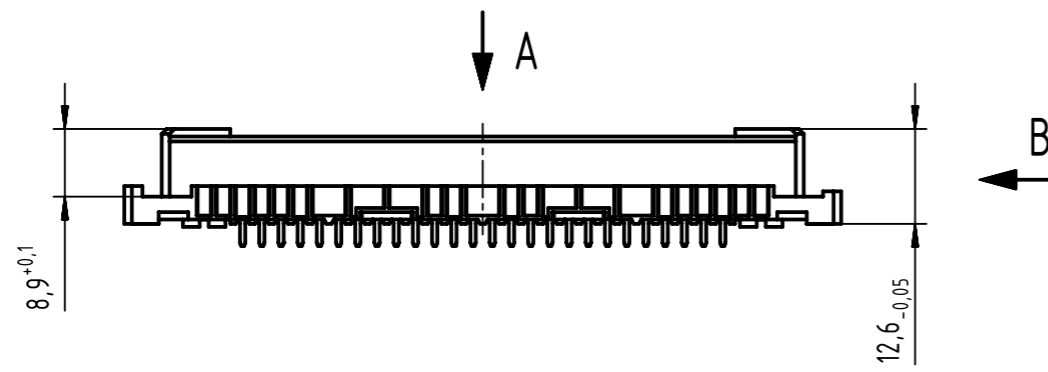
1 2 3 4 5 6 7 8

A  
B  
C  
D  
E  
F

A  
B  
C  
D  
E  
F



78 solder contacts  
 ☒ = solder contact  
 ◻ = position without contact



2 hole diameter is to be co-ordinated with the respective contact  
 1 further information see: DS 09032100001

09 03 278 6804	2
part no.	performance level 1

All rights reserved Department EL PD HARTING Electronics GmbH D-32339 Espelkamp	All Dimensions in mm Original Size DIN A3	Scale 1:1 Free size tol. IEC 60603-2	Ref. Sub.	Created by ZWAHR	Inspected by TADJE	Standardisation HOFFMANN	Date 2017-01-20	State Final Release
	Title DIN Signal type M78 female solder 2.9 78-pole							Doc-Key / ECM-Nr. 100072218/UGD/065/D 500000114096
		Type TB	Number 0903278X804		Rev. D	Page 1/1		

1 2 3 4 5 6 7 8