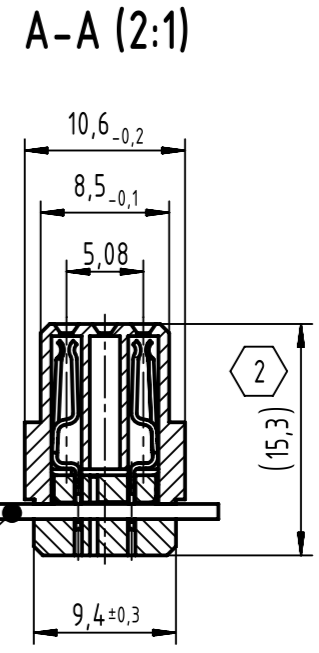
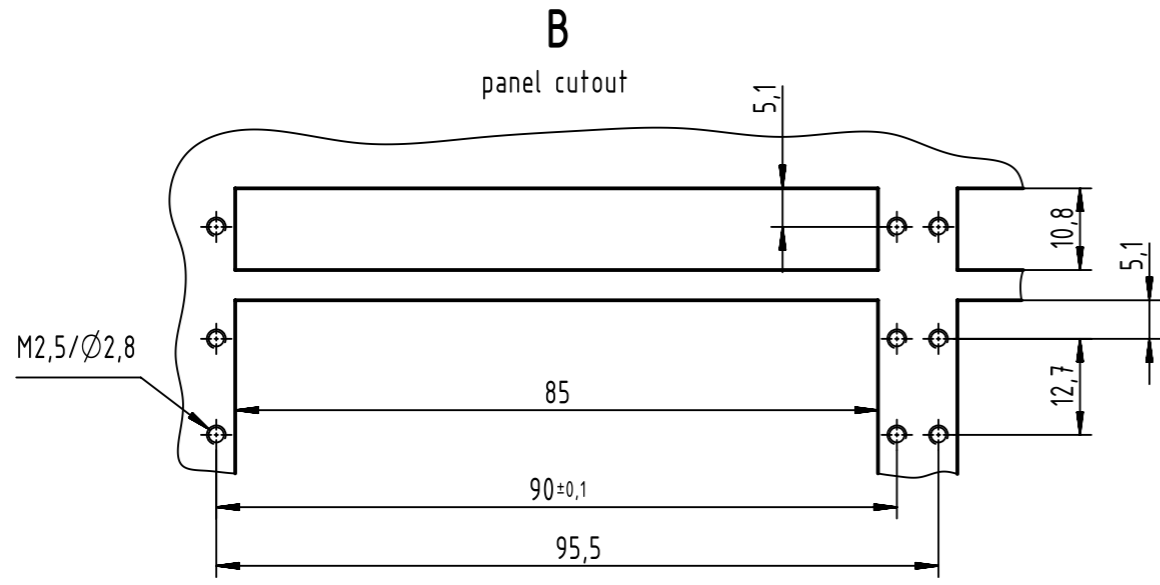
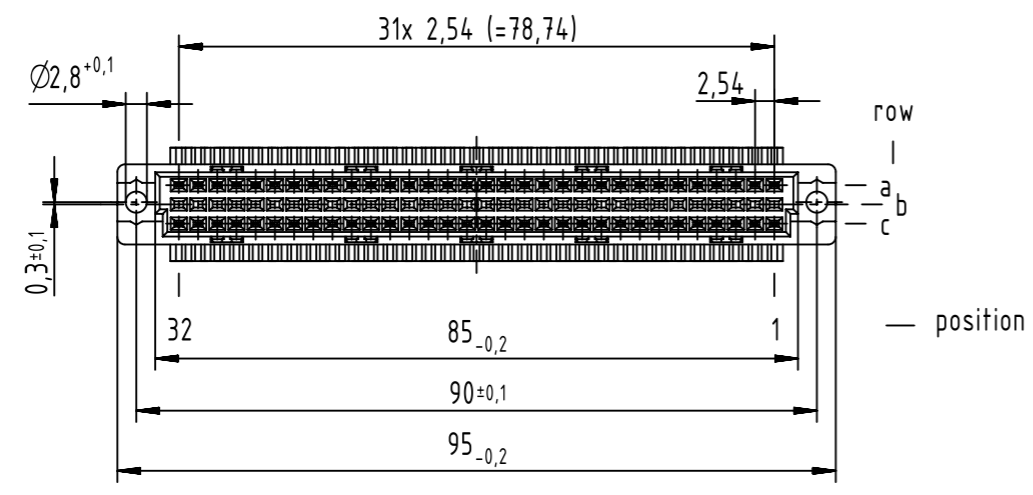
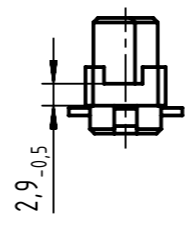
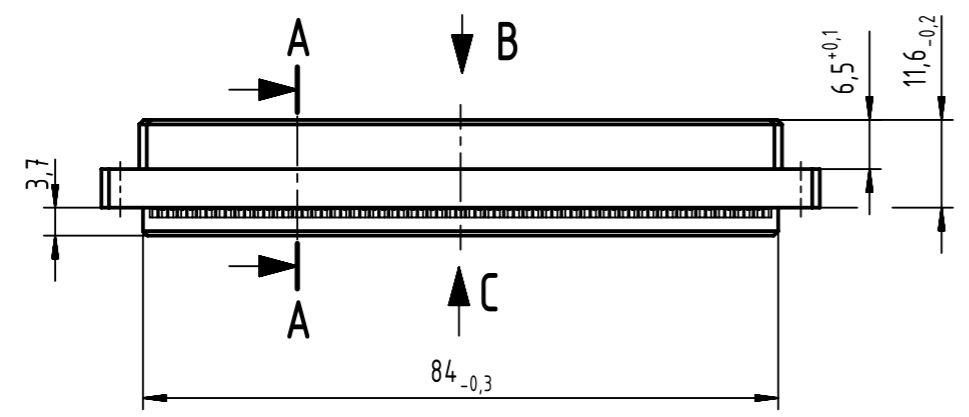
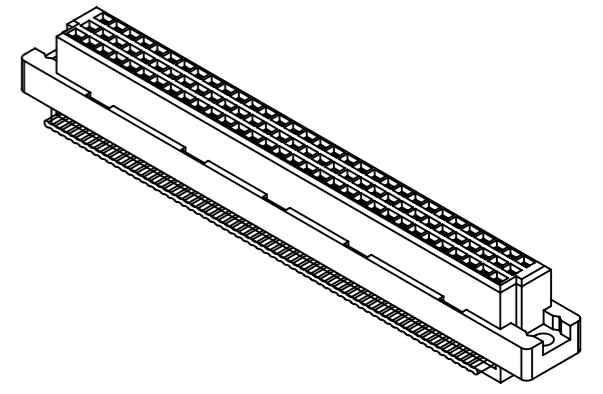


64 contacts
 ■ = position with contact
 □ = position without contact



flat cable AWG 28/7
pitch 1,27mm
(is not in scope of delivery)



2 total height for assembled connector
 1 further information see: DS 09032000601
 lead number 1 of flat cable on contact 1c

09 03 264 7828	3
09 03 264 6828	2
part no.	performance level 1

All Dimensions in mm Original Size DIN A3		Scale 1:1	Free size tol. IEC 60603-2		Ref. Sub.
All rights reserved Department EC PD - DE	Created by STORCK	Inspected by ELLERMANN	Standardisation HOFFMANN	Date 2017-04-18	State Final Release
	Title DIN signal type C female for insulation displacement				Doc-Key / ECM-Nr. 100177370/UGD/003/C 500000118203
HARTING Electronics GmbH D-32339 Espelkamp		Type TB	Number 0903264X828		Rev. C Page 1/1