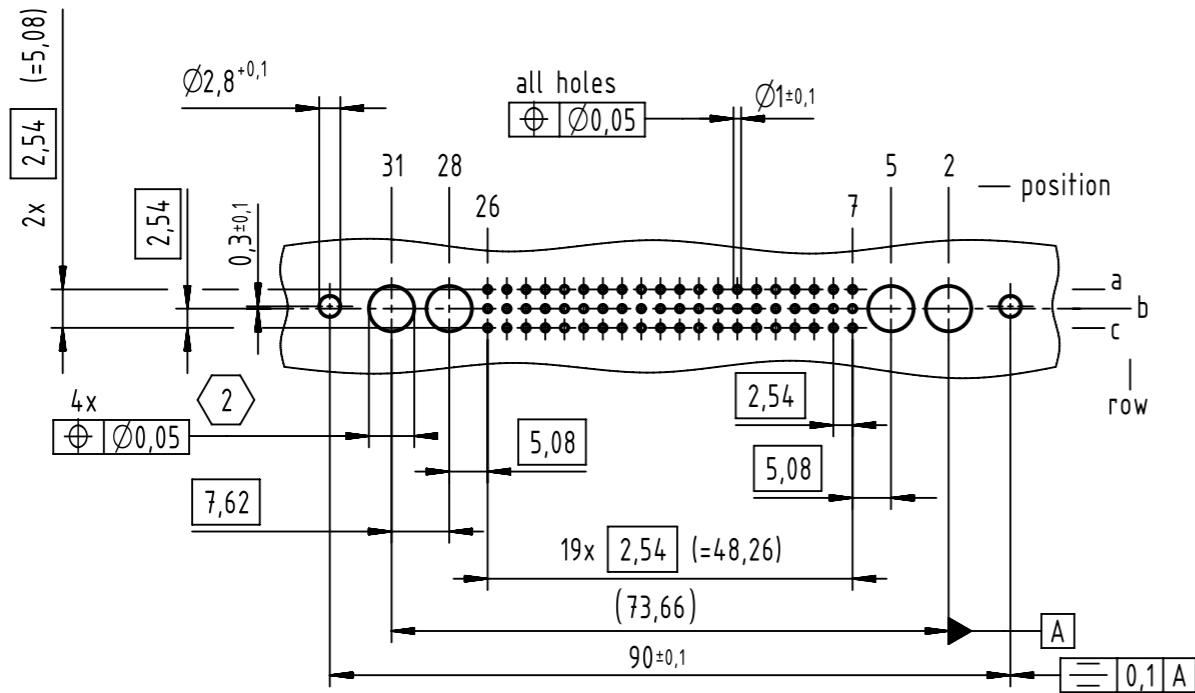
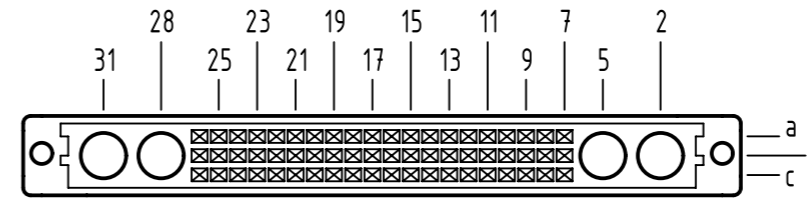


A
board drillings



A
contact arrangement

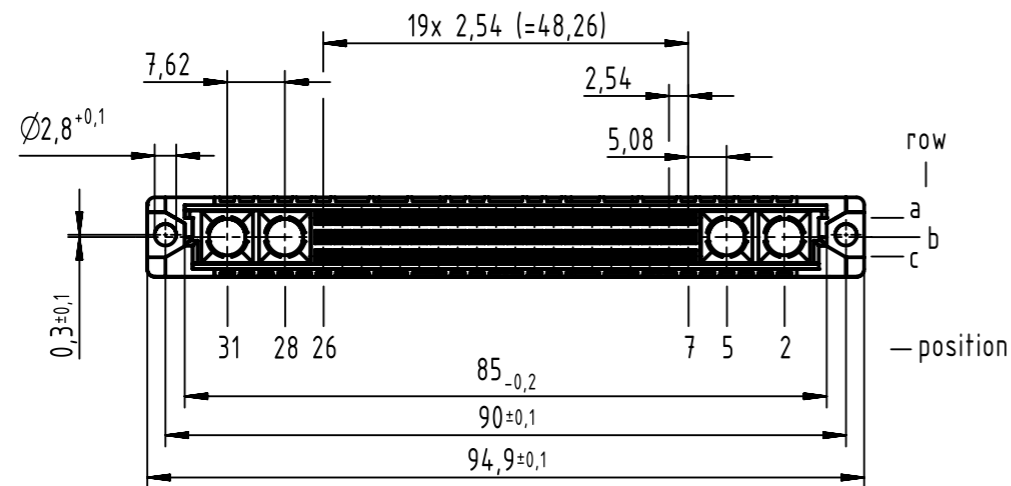
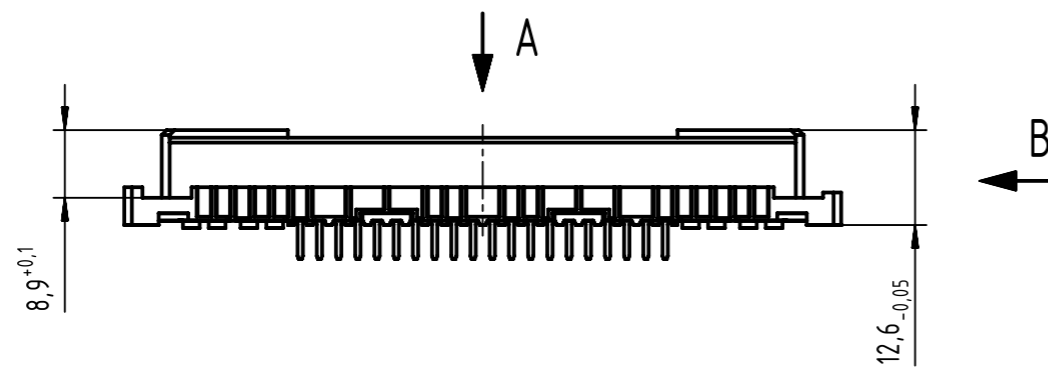
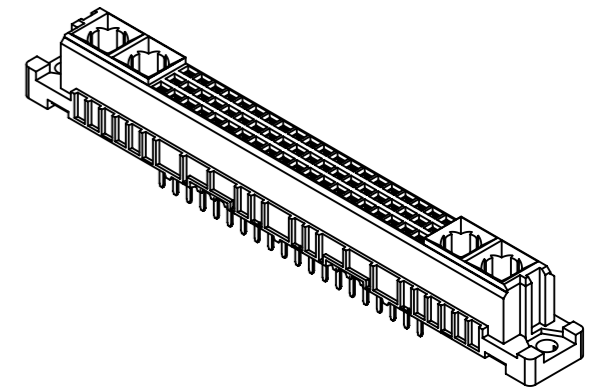
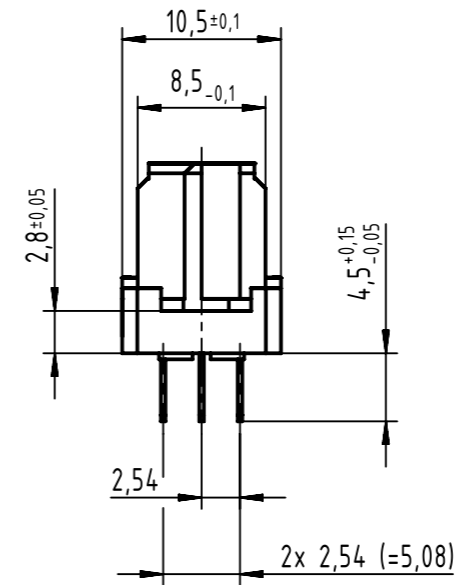


60 solder contacts

☒ = solder contact

□ = position without contact

B (2:1)



2 hole diameter is to be co-ordinated with the respective contact

1 further information see: DS 09032100001

09 03 260 6805	2
part no.	performance level 1

	All Dimensions in mm Original Size DIN A3	Scale 1:1	Free size tol. IEC 60603-2	Ref.
	All rights reserved Department EL PD	Created by ZWAHR	Inspected by LEHNERT	Standardisation HOFFMANN
HARTING Electronics GmbH D-32339 Espelkamp	Title DIN Signal type M60 female solder 4.5 60-pole			Date 2017-01-20
	Type TB	Number 0903260X805	State Final Release	Doc-Key / ECM-Nr. 100072218/UGD/055/D 500000114/095
				Rev. D
				Page 1/1