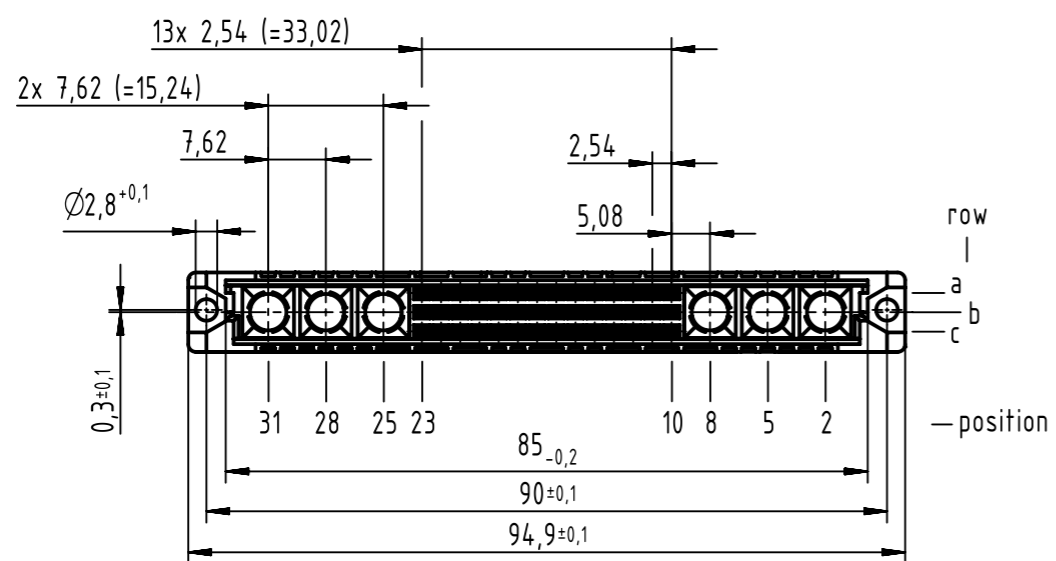
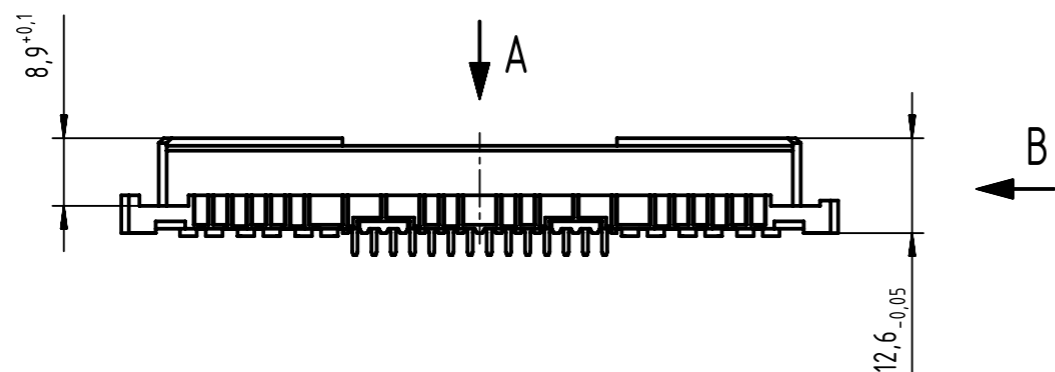
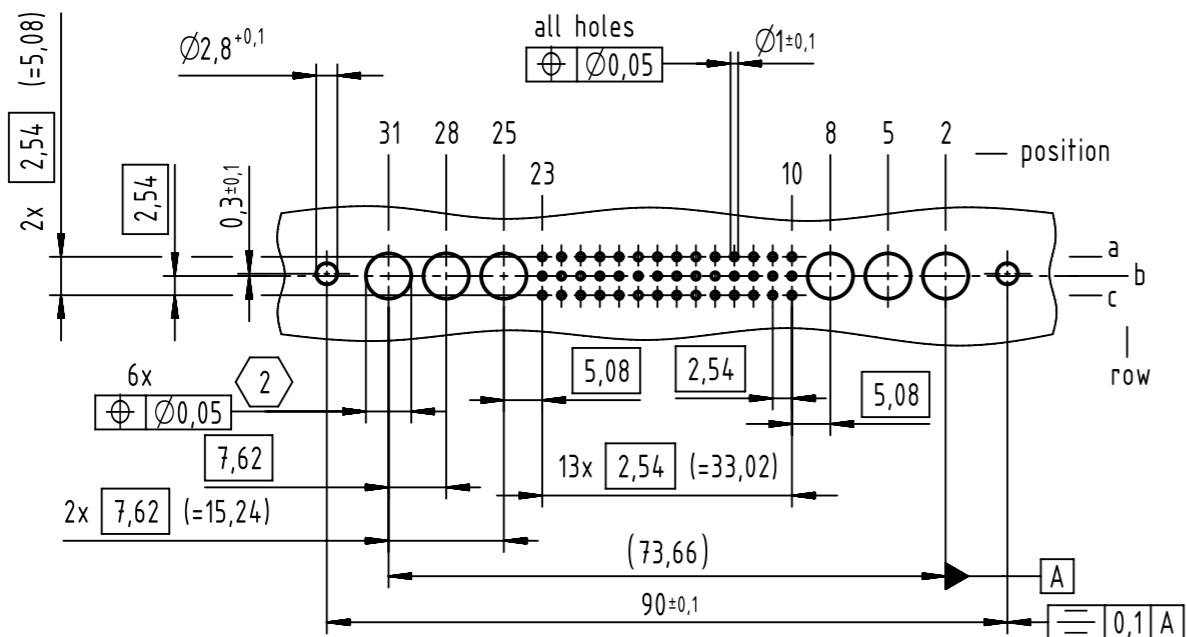
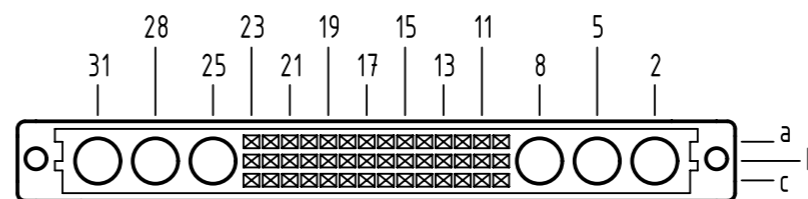


A
board drillings



A
contact arrangement

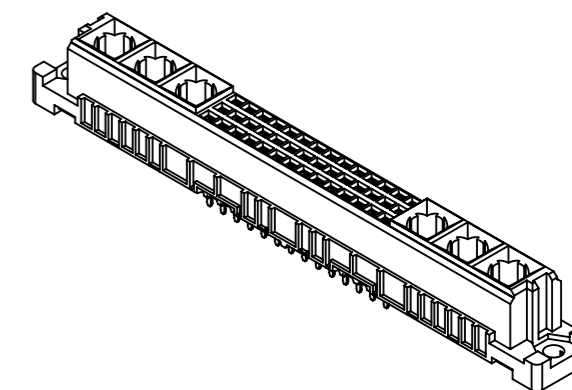
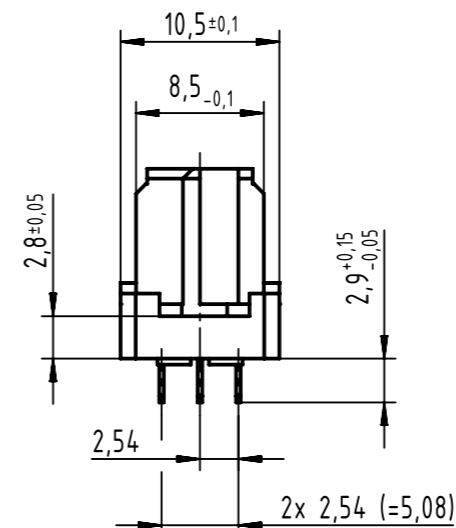


42 solder contacts

⊗ = solder contact

□ = position without contact

B (2:1)



② hole diameter is to be co-ordinated with the respective contact

① further information see: DS 09032100001

09 03 242 6804	2
part no.	performance level ①

	All Dimensions in mm Original Size DIN A3		Scale 1:1	Free size tol. IEC 60603-2		Ref.	
	All rights reserved Department EL PD		Created by ZWAHR	Inspected by ELLERMANN	Standardisation HOFFMANN	Date 2017-01-20	State Final Release
HARTING Electronics GmbH D-32339 Espelkamp		Title DIN Signal type M42 female solder 2.9 42-pole			Doc-Key / ECM-Nr. 100072218/UGD/038/D 500000114092		Rev. D
		Type TB	Number 0903242X804		Page 1/1		