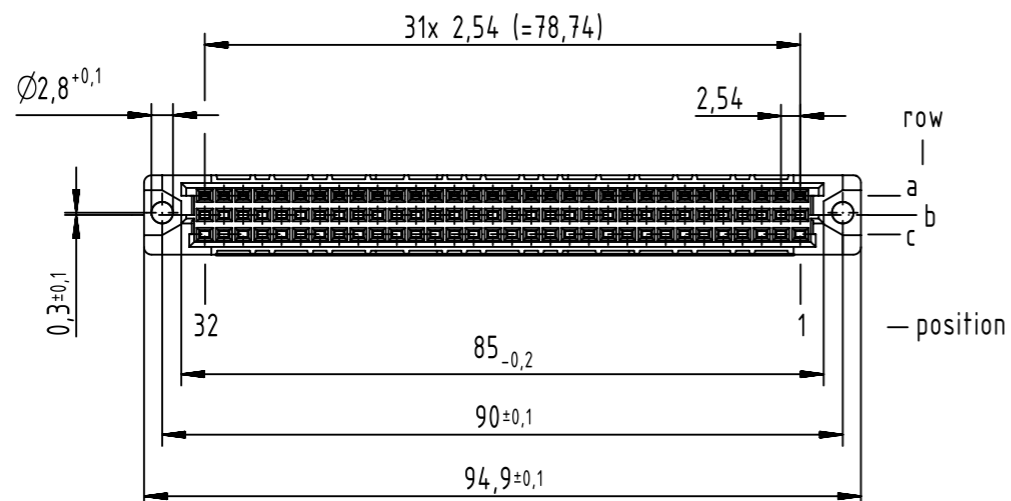
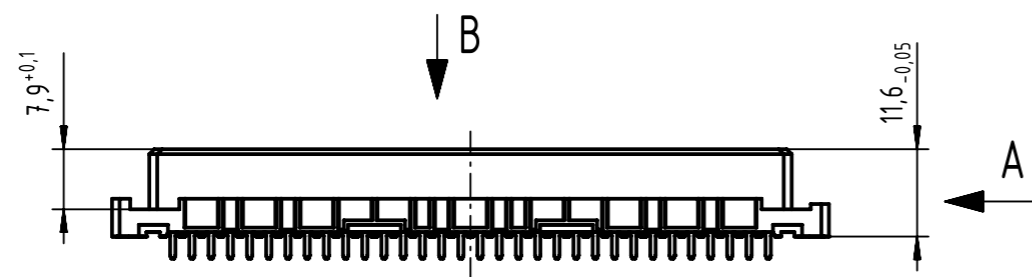
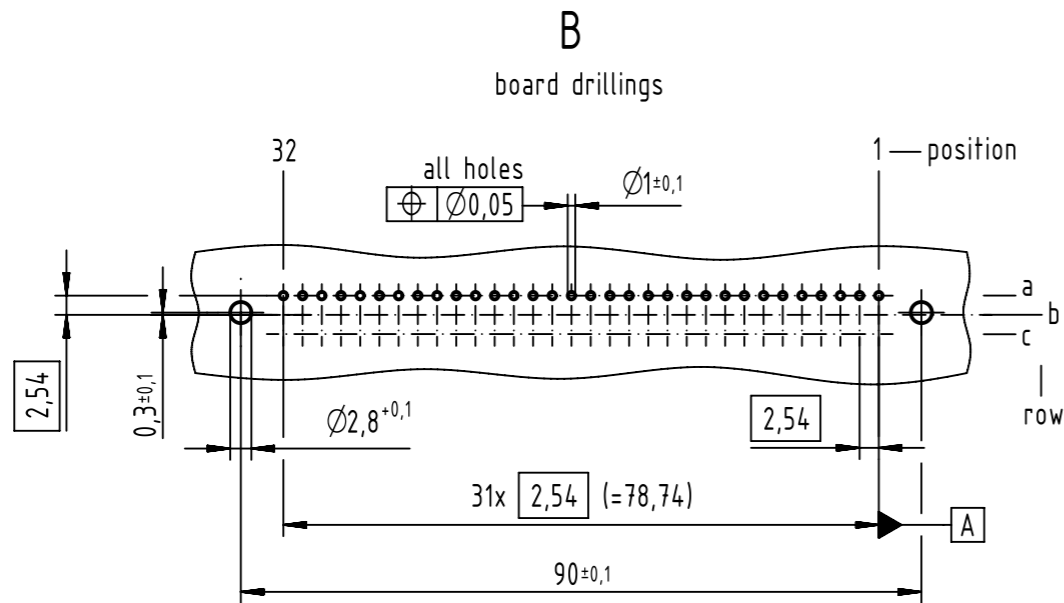


32 solder contacts

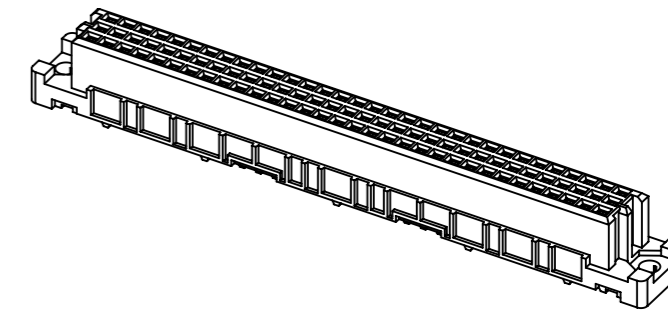
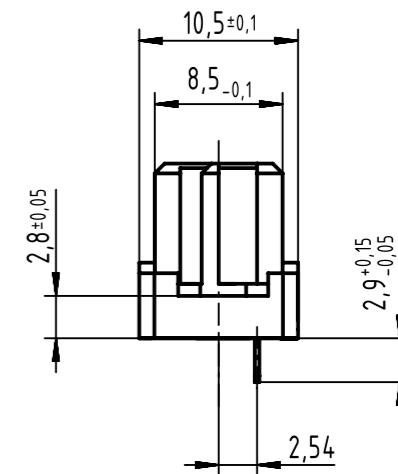
⊗ = solder contact

■ = kinked solder-contact

□ = position without contact



A (2:1)



09 03 232 6834	2
part-no.	performance level 1

1 further information see: DS 09032100001

	All Dimensions in mm Original Size DIN A3	Scale 1:1	Free size tol. IEC 60603-2	Ref. Sub. TB 09 03 232 X834 / Mod.36400 / 24.06.2011		
	All rights reserved Department EC PD - DE	Created by STORCK	Inspected by LEHNERT	Standardisation HOFFMANN	Date 2016-03-31	State Final Release
HARTING Electronics GmbH D-32339 Espelkamp		Title DIN Signal type C fem conn solder str 32-pole			Doc-Key / ECM-Nr. 100173852/UGD/031/B 500000100625	
		Type TB	Number 0903232X834		Rev. B	Page 1/1