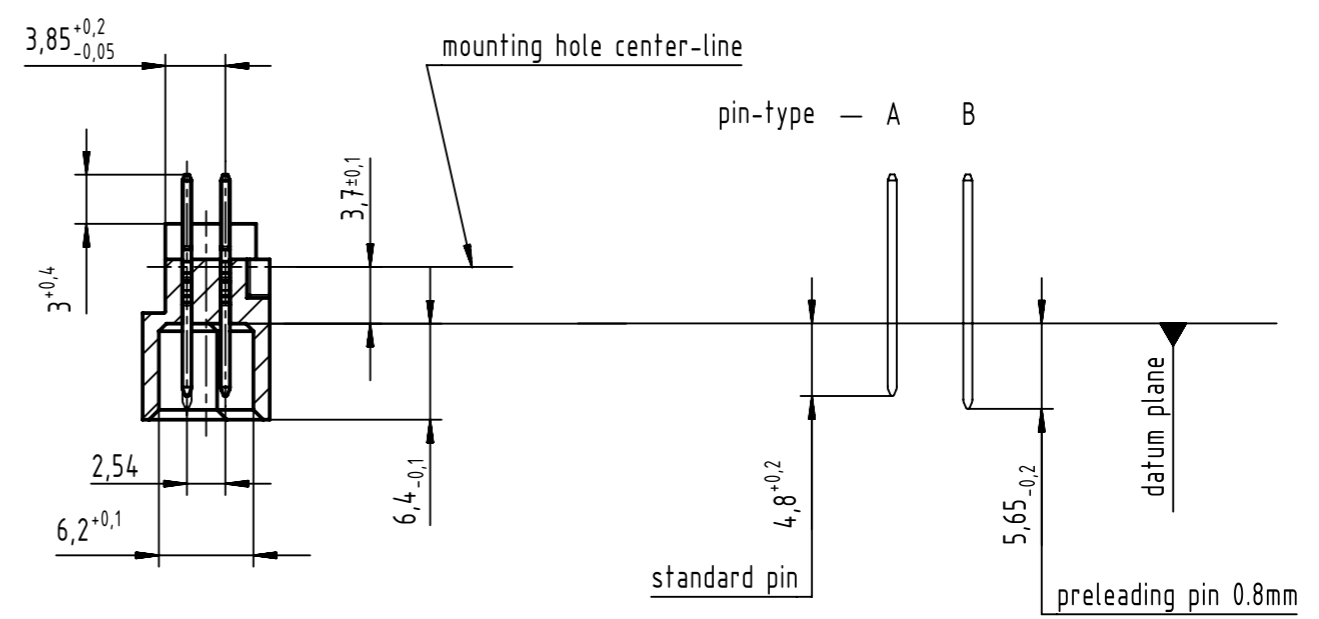
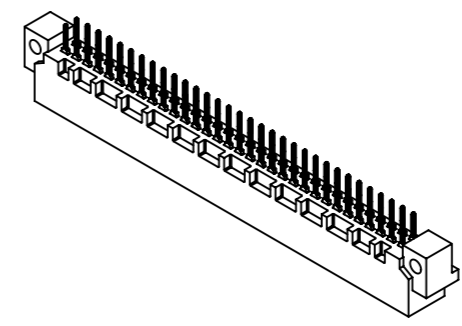
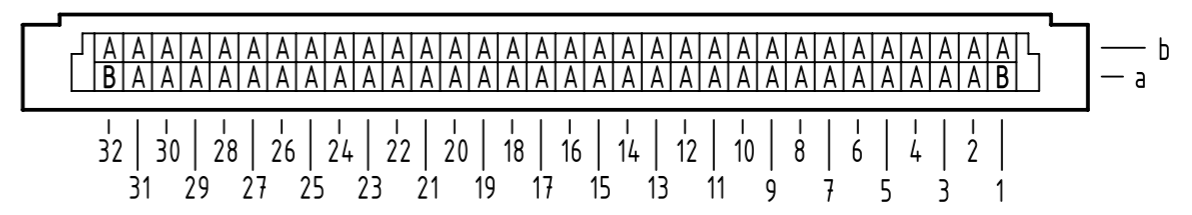


A-A (2:1)



B
contact loading



09 02 164 6952	2
09 02 164 2952	1
part no.	performance level 1

1 further information see: DS 09031200201

<p>All rights reserved Department EL PD</p>	<p>All Dimensions in mm Original Size DIN A3</p>		<p>Scale 1:1</p>	<p>Free size tol. IEC 60603-2</p>	<p>Ref. Sub. TB 09 02 164 X952 / 36467 / 16.12.2011</p>		
	<p>HARTING Electronics GmbH D-32339 Espelkamp</p>	<p>Created by STORCK</p>	<p>Inspected by LEHNERT</p>	<p>Standardisation KOHLER</p>	<p>Date 2015-05-06</p>	<p>State Final Release</p>	
<p>Title DIN Signal type B male solder 64-pole</p>					<p>Doc-Key / ECM-Nr. 100072299/UGD/044/B 5000008851</p>		
<p>Type TB</p>				<p>Number 0902164X952</p>		<p>Rev. B</p>	<p>Page 1/1</p>